



**EMA**  
**Spare parts list**

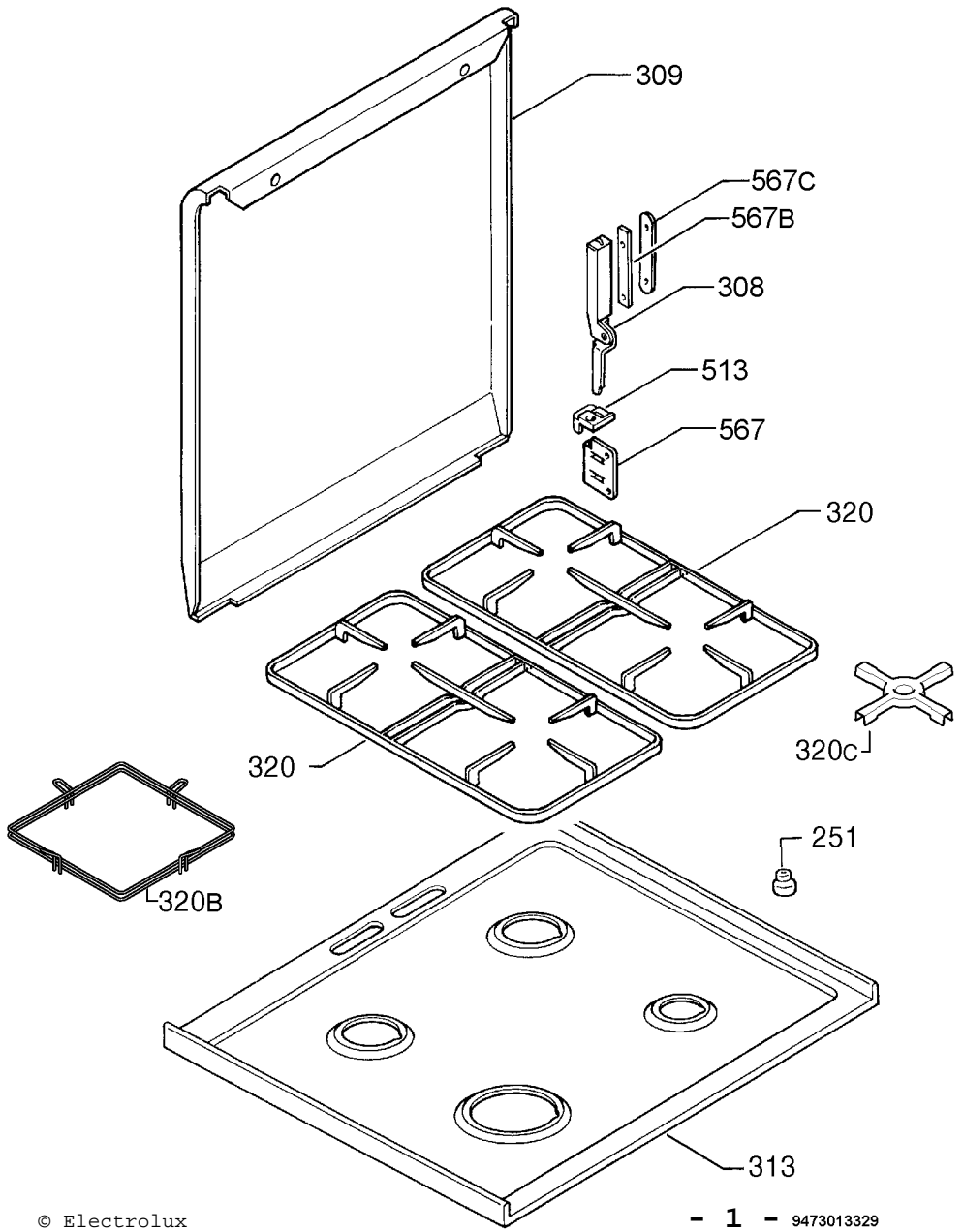
Cookers  
2231

<b>PNC</b>	<b>ELC</b>	<b>Brand</b>	<b>Model</b>	<b>Market</b>
947740655	00	Electrolux	66GS	ZZ

With electric oven

**Electrolux Italia S.p.A.**  
**Corso Lino Zanussi 30**  
**I - 33080 Porcia**  
**Italy**  
Fax +39 (0)434 394096

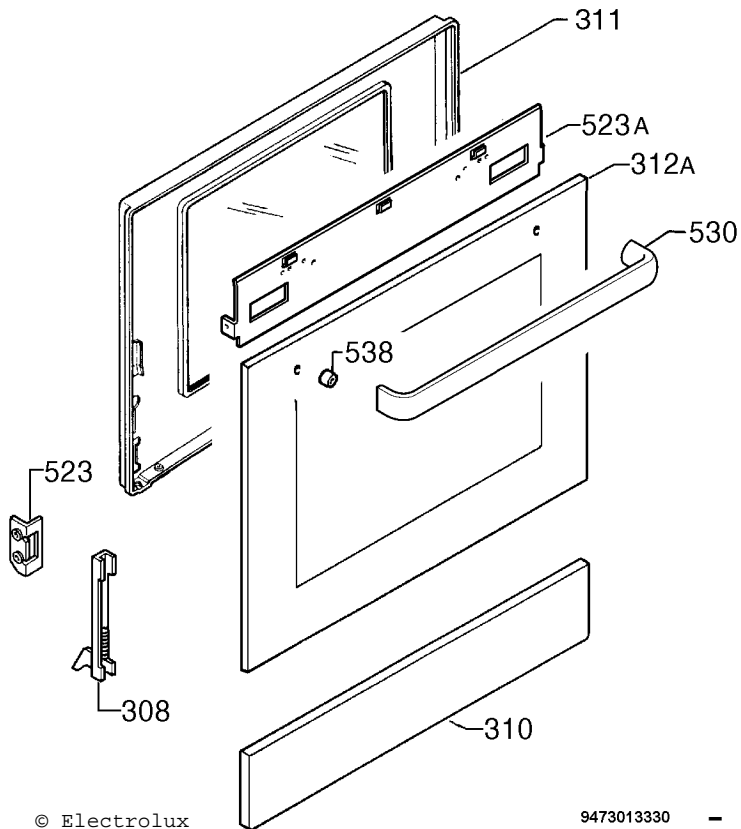
**Publication-No.**  
**599358311**  
**2003/04/16**  
ZO



Exploded view no.: P09473013329  
P09473013329

<b>Matrix</b>	<b>PNC</b>	<b>ELC</b>	<b>ProdDate</b>	<b>Model</b>
A	947740655	00	20030425	66GS

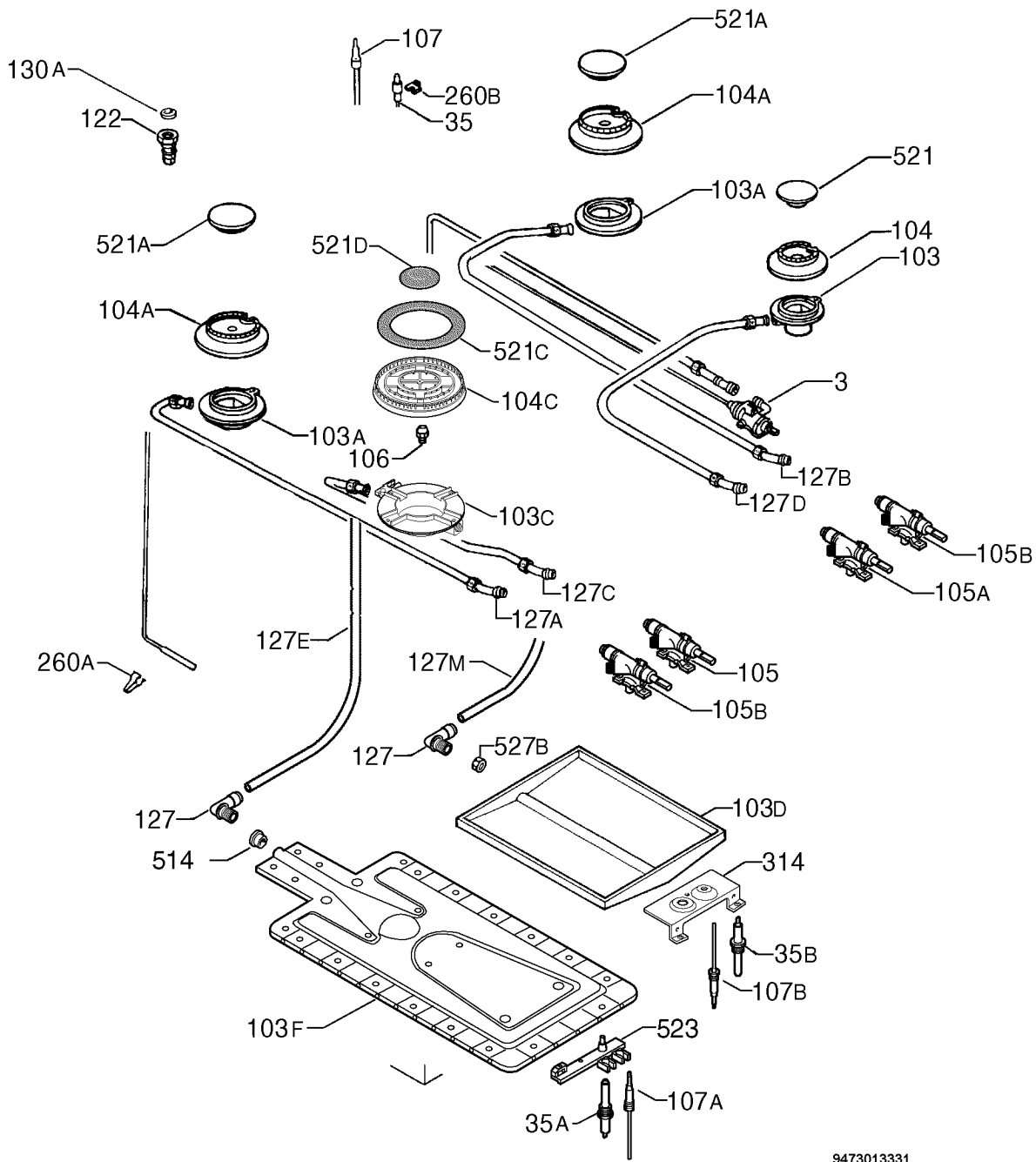
<b>Pos</b>	<b>Part No.</b>	<b>Matrix</b>	<b>Description</b>
251	3556092017	A	Buffer,Grid,white
308	3577030012	A	Hinge set,bezel,right
308	3577030053	A	Hinge set,Cover,left
309	3531742025	A	Cover,white
313	3531808107	A	Work top,white
320	3546185020	A	Grating,black
320B	3546143011	A	Grill,WOK (TCS)
320C	3546182027	A	Reducer,grating,black
513	3556026213	A	Block,left,white
513	3556026221	A	Block,right,white
567	3530050032	A	Hinge plate,right
567	3530050057	A	Hinge plate,left
567B	3556024010	A	Plaque,inner
567C	3558016055	A	Cap,screw cover,white,10x80mm



Exploded view no.: P09473013330  
P09473013330

<b>Matrix</b>	<b>PNC</b>	<b>ELC</b>	<b>ProdDate</b>	<b>Model</b>
A	947740655	00	20030425	66GS

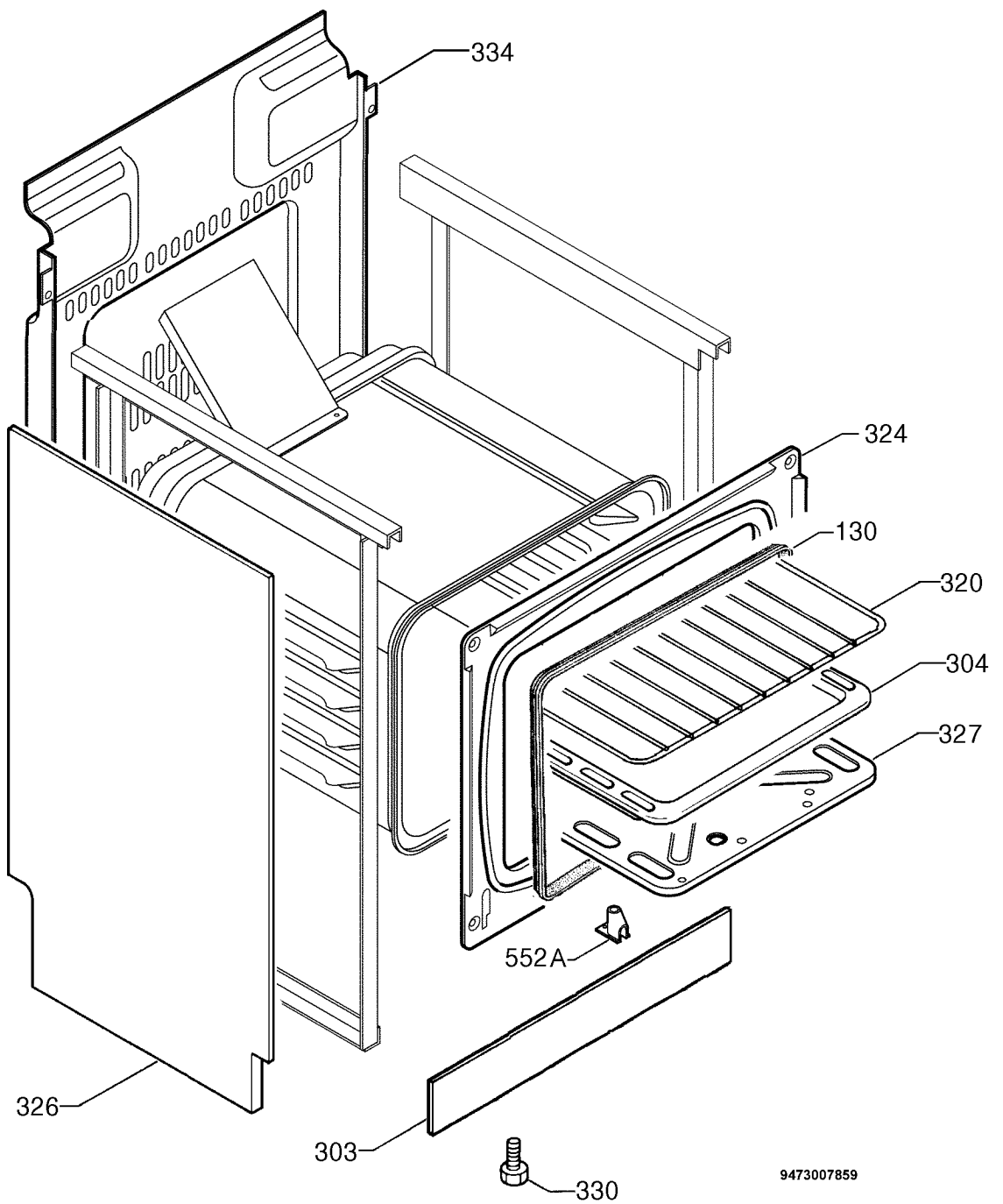
<b>Pos</b>	<b>Part No.</b>	<b>Matrix</b>	<b>Description</b>
308	3577218013	A	Hinge,oven door
310	3531694069	A	Drawer door,white
311	3578181103	A	Assembly,inner door,glass panel
312A	3578317699	A	Assembly,glass panel,oven door
523	3530116015	A	Fixing bracket,hinge,right
523	3530116023	A	Fixing bracket,hinge,left
523A	3531329203	A	Support,glass panel,handle,L=60
530	3554058044	A	Handle,oven door,white
538	3543015188	A	Spacer,Handle,4.1mm



9473013331

Matrix	PNC	ELC	ProdDate	Model
A	947740655	00	20030425	66GS

Pos	Part No.	Matrix	Description
003	3577128055	A	Temperature regulator
035	3570214159	A	Spark plug, ignition, L=900mm
035	3570327035	A	Spark plug, ignition, L=1100mm TCS
035A	3570214118	A	Spark plug, ignition, 1100mm
035B	3570008023	A	Spark plug, burner, grill
103	3540042128	A	Burner body, auxiliary
103A	3540043035	A	Burner body, medium
103C	3540078015	A	Burner body, (ASIA)
103D	3577124021	A	Burner, grill, gas
103F	3577103025	A	Burner body, oven, grill
104	3540045055	A	Crown, small burner, glossy, with hole
104A	3540046046	A	Crown, medium burner, glossy, with hole
104C	3540079013	A	Collar, TCS (ASIA)
105A	3577207107	A	Tap (small burner), D.028 M13x1 COPRECI
105B	3577207040	A	Tap (medium burner), D.032 M13x1 COPRECI
105C	3577207149	A	Cock, double crown burner, D.056 M13x1
106	50269520008	A	Nozzle set, LPG
106	50269545005	A	Nozzle set, GN
107	3570140024	A	Thermocouple, L=500
107	3570328033	A	Thermocouple, triple crown burner, L.=500 (TCS)
107A	3570204010	A	Thermocouple, oven
107B	3570401012	A	Thermocouple, grill
122	3543169019	A	Hose connection, natural gas, town gas
122	50223877007	A	Rubber holder, liquid gas, (G30)
127	3540105016	A	Connector, oven burner, complete
127A	3541466037	A	Pipe, back, left, S/R M13x1
127B	3541465039	A	Pipe, rear, right, S/R M13x1
127C	3541369033	A	Pipe, triple crown burner, M13x1
127D	3541467035	A	Pipe, front, right, AUX M13x1
127E	3541482026	A	Pipe, oven burner
127M	3541483024	A	Pipe, grill
130A	3565074014	A	Gasket
260A	3543132017	A	Spring, Bulb, oven thermostat
260B	3543081016	A	Fixing spring, spark plug, thermocouple
260B	3543126019	A	Fixing spring, spark plug, triple crown burner, (ASIA)
314	3530130016	A	Angle, burner, grill
514	3543141026	A	Bush, oven burner
521	3540006081	A	Burner top, small, black, 55mm
521A	3540006099	A	Burner top, normal, black, 71mm
521C	3540080029	A	Burner top, (ASIA)
521D	3540081027	A	Burner top, central, (ASIA)
523	3540096025	A	Bracket, oven burner
527B	50171007003	A	Nut, connector, M14x1.5mm



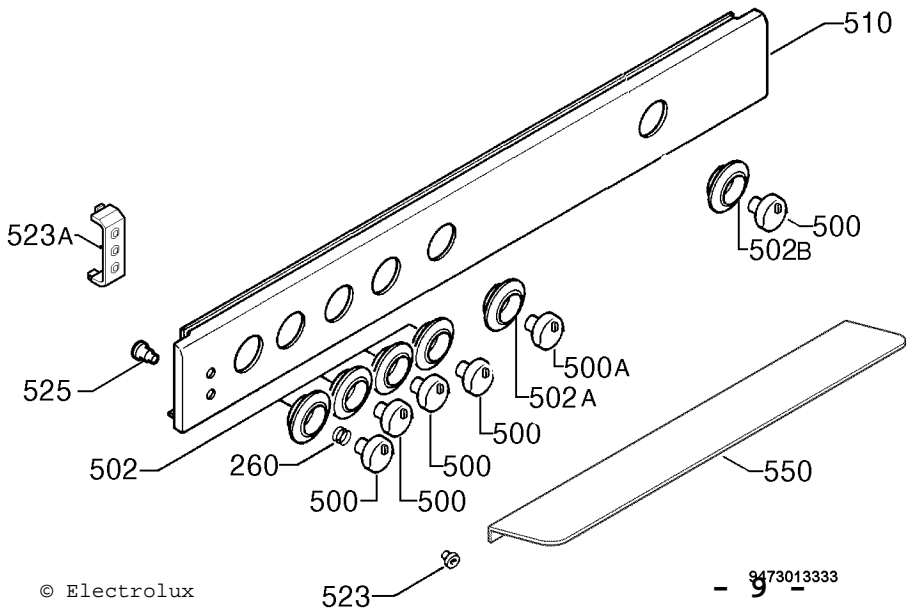
9473007859



Exploded view no.: P09473007859  
P09473013332

<b>Matrix</b>	<b>PNC</b>	<b>ELC</b>	<b>ProdDate</b>	<b>Model</b>
A	947740655	00	20030425	66GS

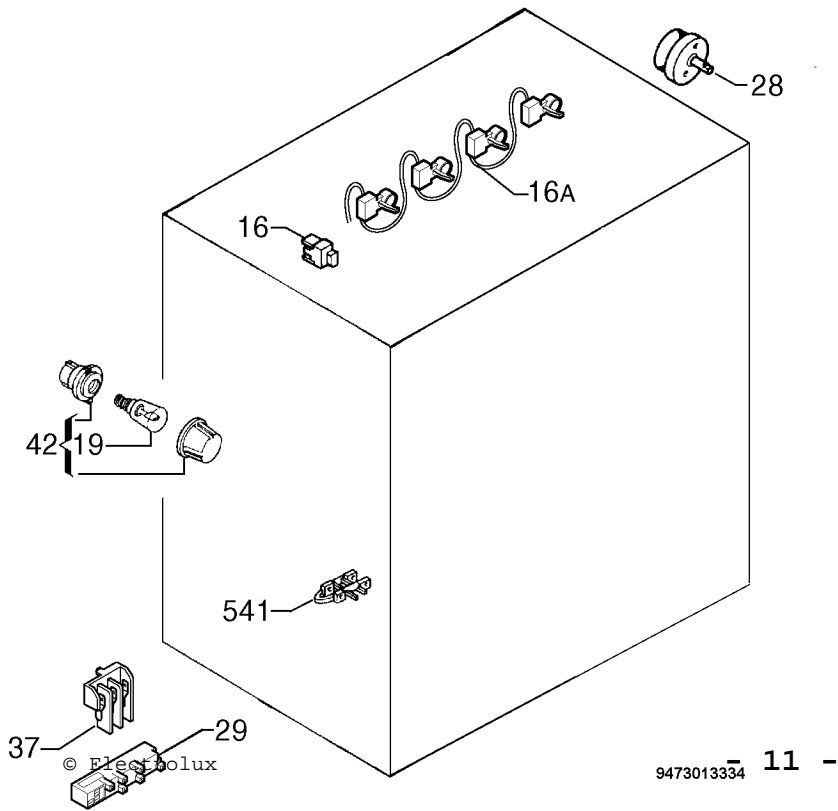
<b>Pos</b>	<b>Part No.</b>	<b>Matrix</b>	<b>Description</b>
130	3565165010	A	Gasket, front panel, black
303	3558013128	A	Base, black, L=60
304	3531021081	A	Drip pan
320	50202748005	A	Grill grid, 452x344mm
324	3531815086	A	Front panel, black
326	3531882037	A	Side panel, right, white, 551x816.5mm
326	3531882045	A	Side panel, left, white, 551x816.5mm
327	3531465098	A	Oven bottom, gas, black
330	3556093015	A	Adjustable foot
334	3531806010	A	Back panel
552A	3540107012	A	Guidance, ignition, gas oven
999	3567476035	A	User manual



Exploded view no.: P09473013333  
P09473013333

<b>Matrix</b>	<b>PNC</b>	<b>ELC</b>	<b>ProdDate</b>	<b>Model</b>
A	947740655	00	20030425	66GS

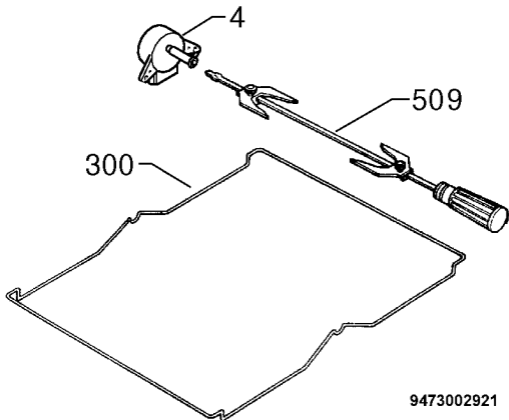
<b>Pos</b>	<b>Part No.</b>	<b>Matrix</b>	<b>Description</b>
260	3543029031	A	Knob spring
500	3550276145	A	Knob,white
500A	3550125227	A	Assembly,knob,index
502	3552046306	A	Indicating plate,gas,white
502A	3552025169	A	Indicating plate,thermostat,white,0-max, 1+0
502B	3552046033	A	Indicating plate,timer,white,0-60
510	3538126016	A	Front piece,control panel
523	3543155042	A	Bracket,coat,knob
523A	3556105033	A	Carrier,Push button,white
525	3550215010	A	Push button,white
550	3531875015	A	Coat,turning knob,zinc-plated



Exploded view no.: P09473013334  
P09473013334

<b>Matrix</b>	<b>PNC</b>	<b>ELC</b>	<b>ProdDate</b>	<b>Model</b>
A	947740655	00	20030425	66GS

<b>Pos</b>	<b>Part No.</b>	<b>Matrix</b>	<b>Description</b>
016	3570087019	A	Switch,Lamp,turnspit
016A	3570407019	A	Push button switch,COPRECI
019	50020965005	A	Oven lamp,Bulb,E14-15W - 240V
028	3581902958	A	Minutes counter,60'
029	3572078016	A	Impulse generator
037	50238595008	A	Connection box
042	3570384010	A	Oven lamp,complete,top,E14,240V,15W
541	3556038010	A	Anti-strain clip



9473002921

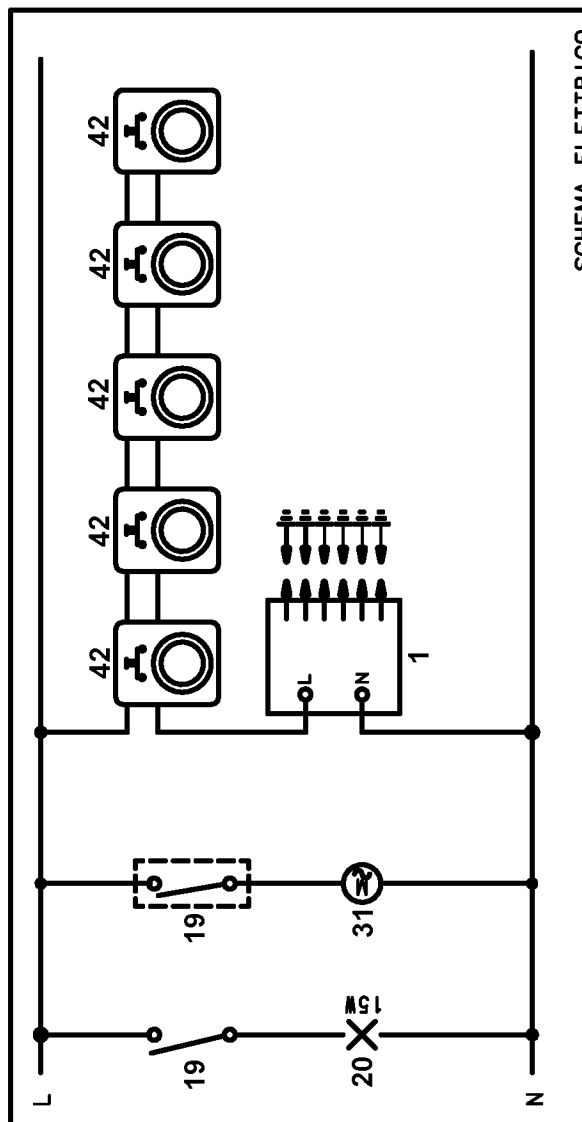
© Electrolux

---

Exploded view no.: P09473002921  
P09473013335

<b>Matrix</b>	<b>PNC</b>	<b>ELC</b>	<b>ProdDate</b>	<b>Model</b>
A	947740655	00	20030425	66GS

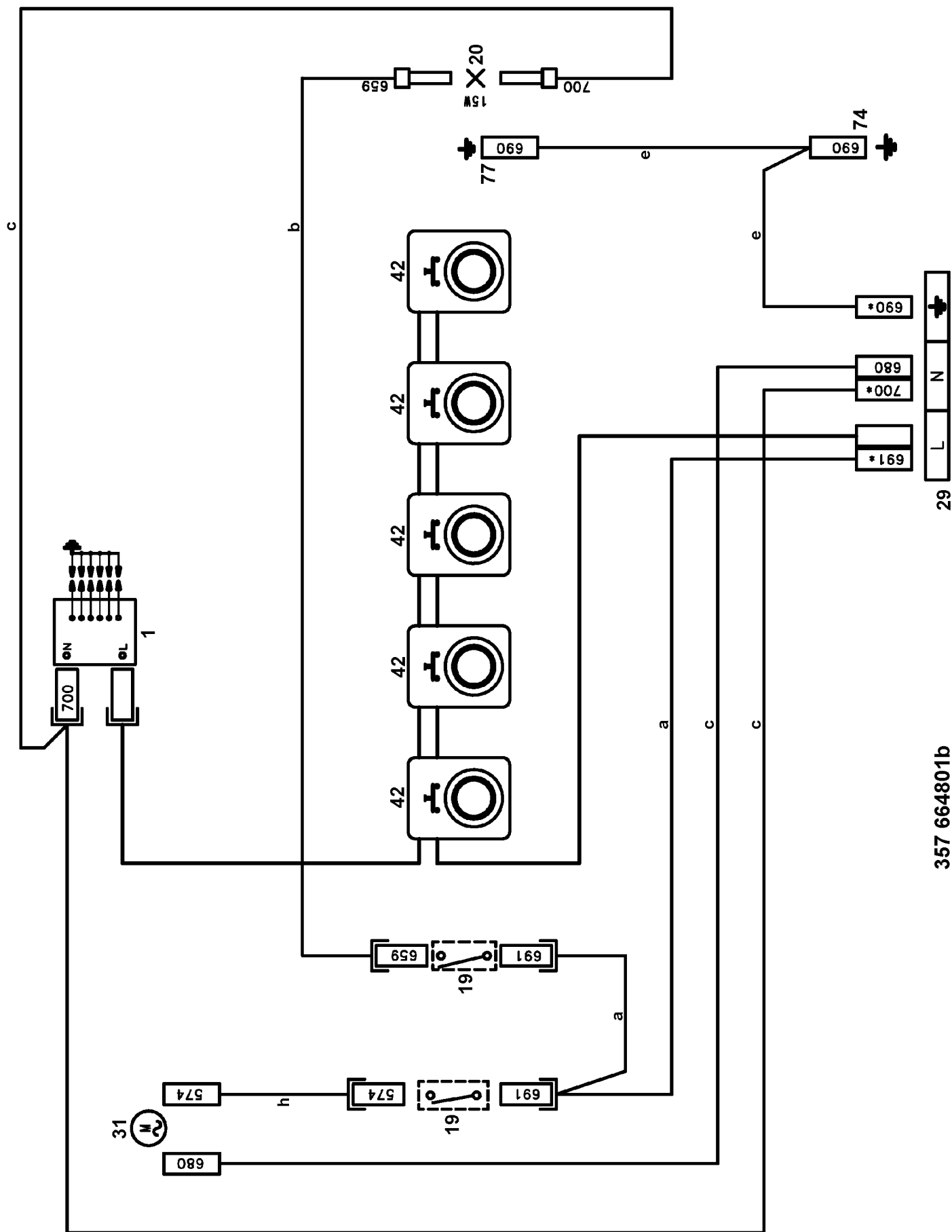
<b>Pos</b>	<b>Part No.</b>	<b>Matrix</b>	<b>Description</b>
004	3581908260	A	Turnspit motor
300	3546190012	A	Chassis, turnspit
509	50217976005	A	Turnspit, complete



SCHEMA ELETTRICO

357 664801a





357 664801b

**P00ZO300001790**

1	Igniter
2	Ignitor supply
3	Hob supply
4	Meat grill
6	Electrical connection
5	Boiler
7	Rotary switch
8	Hot plates rotary switch
9	Connection
10	Probe connector
12	Anti-interference filter
11	HV-Capacitor
13	Diode
14	Anti-interference filter
15	Fuse
16	Main fuse
17	Door safety fuse
19	Switch
18	Microtherm-fuse
20	Oven lamp
21	Indicator lamp
22	Magnetron
23	Cover microswitch
24	Door microswitch
25	Convection micro-motor
26	Primary microswitch
27	Secondary microswitch
28	Monitor microswitch
29	Terminal board
30	Hot plate terminal block
31	Turnspit motor
32	Convection fan
33	Stirrer fan
34	Tangential cooling fan
35	Clock
36	Automatic hotplate
37	Normal hotplate
38	Quick plate
39	Socket for ignitor
40	Socket for probe
41	Programme selector
42	Pushbutton
43	Start pushbutton
44	Energy regulator double
45	Energy regulator
46	Quick energy regulator
47	Thermostat energy regulator
48	Steam regulator
49	Time relay, Thermo relay
50	Relay

**P00ZO300001790**

51	Top element
52	Upper/grill heater
53	Circular element
54	Voltage drop
55	Grill heater
56	Lavic rock heater
57	Lower element
58	LED P.C.B.
59	Logic P.C.B.
60	Water level probe
61	Water level indicator
62	Connector for Residual Heat Indicator (Hotplates)
63	Grill pilot lamp
64	Mains on pilot lamp
65	Microwave pilot lamp
66	Hotplate pilot lamp
67	Thermostat pilot lamp
68	Steam pilot lamp
69	Steam release thermostat
70	Thermostat, Run of Cooling fan after use
71	Overheat protection thermostat
72	Thermostat, Baker (50°C - 300°C)
73	Boiler regeneration thermostat
74	Earth
75	Hob earth
76	Hot plate earth
77	Lampholder earth
78	Pipe earth
79	Transformer
80	H. V. transformer
81	Full tank indicator
82	Empty tank indicator
83	Cleaning cycle indicator
84	Power p.c.b.
85	Push button electr. module
86	Control P.C.B. (Display)
87	Oven temperature sensor
88	Control push buttons
89	Gas control device light
90	Electronic gas control device
91	Stroke magnet
92	Electrode
93	Burner block indicator pilot lamp
94	Energy quick regulator pilot lamp
95	Circuit board, microwave
96	Rotary selector
97	Logic microswitch
98	Radiant plate
99	Temperature limiter
100	Safety-switch

**P00ZO300001790**

101	Power indicator
102	Grill cut-out microswitch
103	Ignition microswitch
104	Element for plate warmer
105	Keep warm pilot lamp
106	Thermostat-microswitch assembly
107	Door lock
108	Klixon, lock
109	Switch for Child Safety
110	Main switch
111	Hob pilot lamp
112	Oven pilot lamp
113	Program timer board
114	Touch-control board
115	Main valve
116	Burner valve
117	Burner
118	Thermocouple
119	Igniter plug
120	Motor earth
121	Heating element earth
122	Fan switch
123	Lamp switch

---

a	Orange
b	White
c	Blue
d	Light blue
e	Yellow/Green
f	Grey
g	Brown
h	Black
i	Pink
l	Red
m	Violet
o	Grey/black
v	Green
y	Yellow

---

Conveyor heater	Conveyor heater
-----------------	-----------------