

Spare parts list

Household washing machines
2520

PNC	ELC	Brand	Model	Market
914900451	00	Electrolux	EFW12022	TH

Electrolux

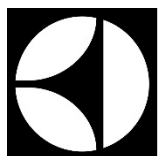
Publication-No.

599782309

2015/02/02

THR

Washing machines,
front-loaded



Item	PNC	ELC	Brand	Model	Market
A	914900447	00	Electrolux	EWF12022	PHH
A	914900451	00	Electrolux	EWF12022	THE
A	914900452	00	Electrolux	EWF12022	MYH/SGE
A	914900525	00	Electrolux	EWF12022	VNE

SAFETY WARNING

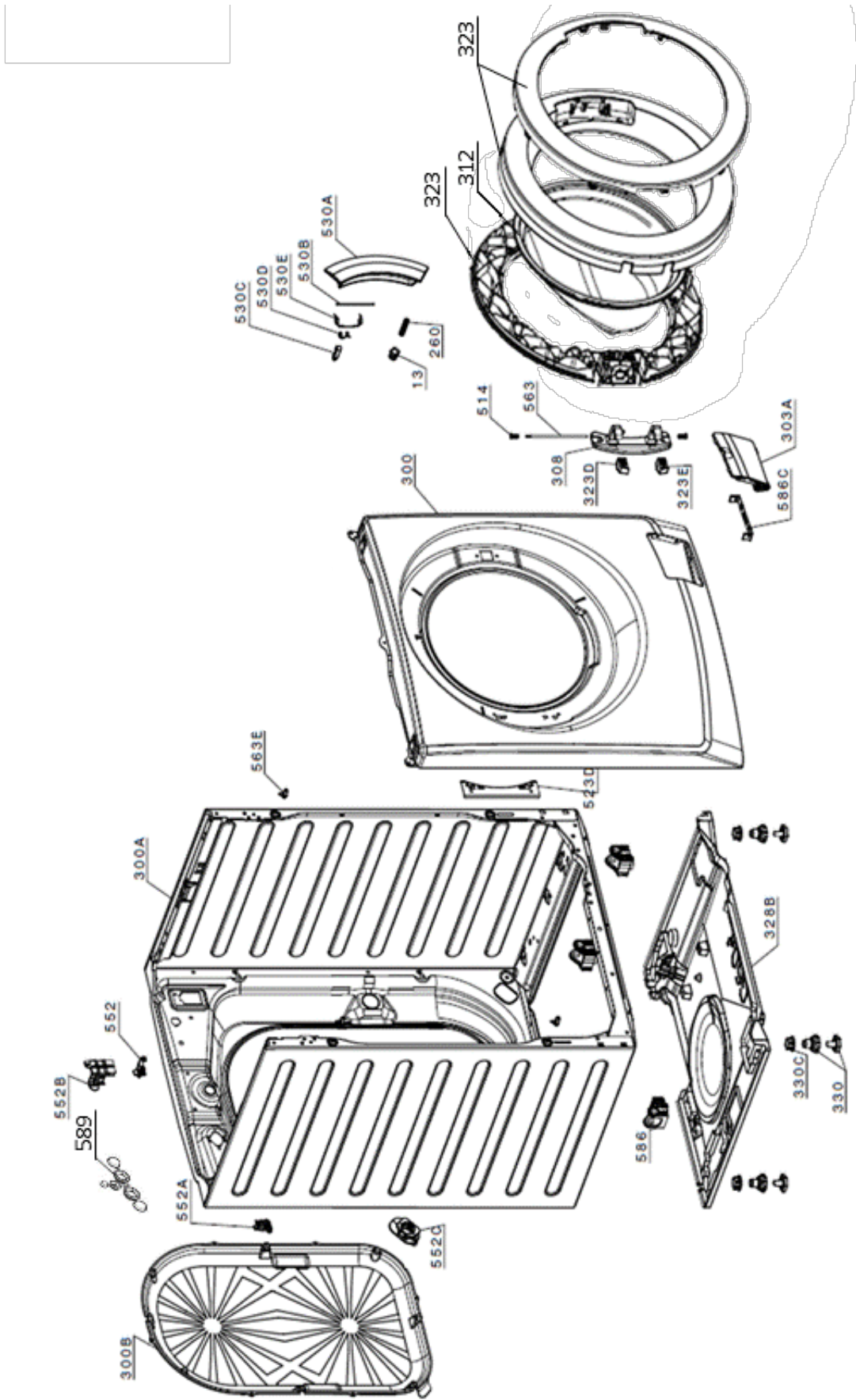
Always turn off and unplug the machine before detaching any parts.

When servicing machines, do not remove ANY detachable parts while the machine is powered. The reason is internal faults may cause shorts to components that are normally at low voltage presenting a shock hazard.

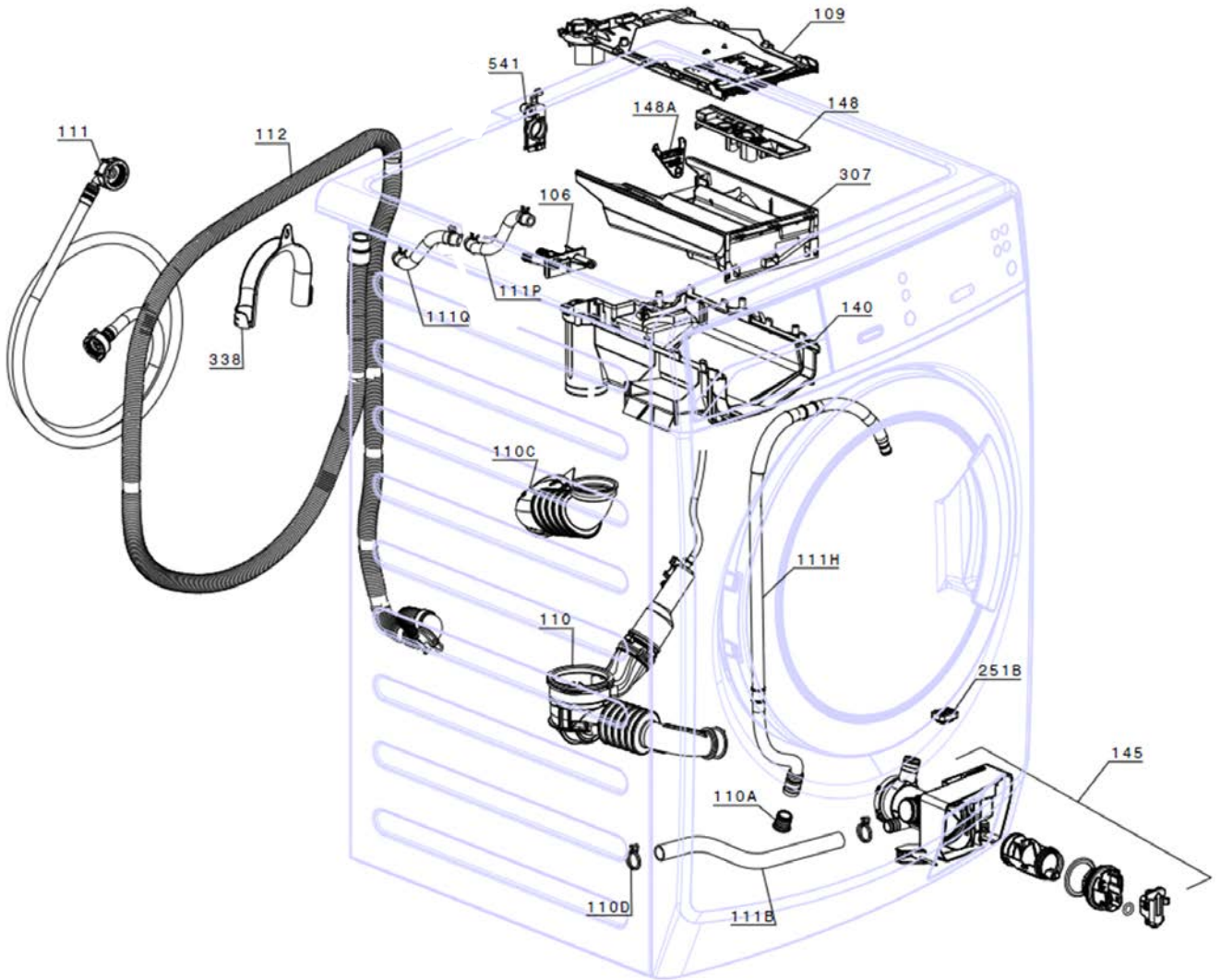
Washing machines
Front- Loaded

Electrolux Thailand Co.,Ltd.
1910 Electrolux Building
New Petchburi Rd.
Bangkapi
Huaykwang
Bangkok , 10310
Tel : +662 725 9000

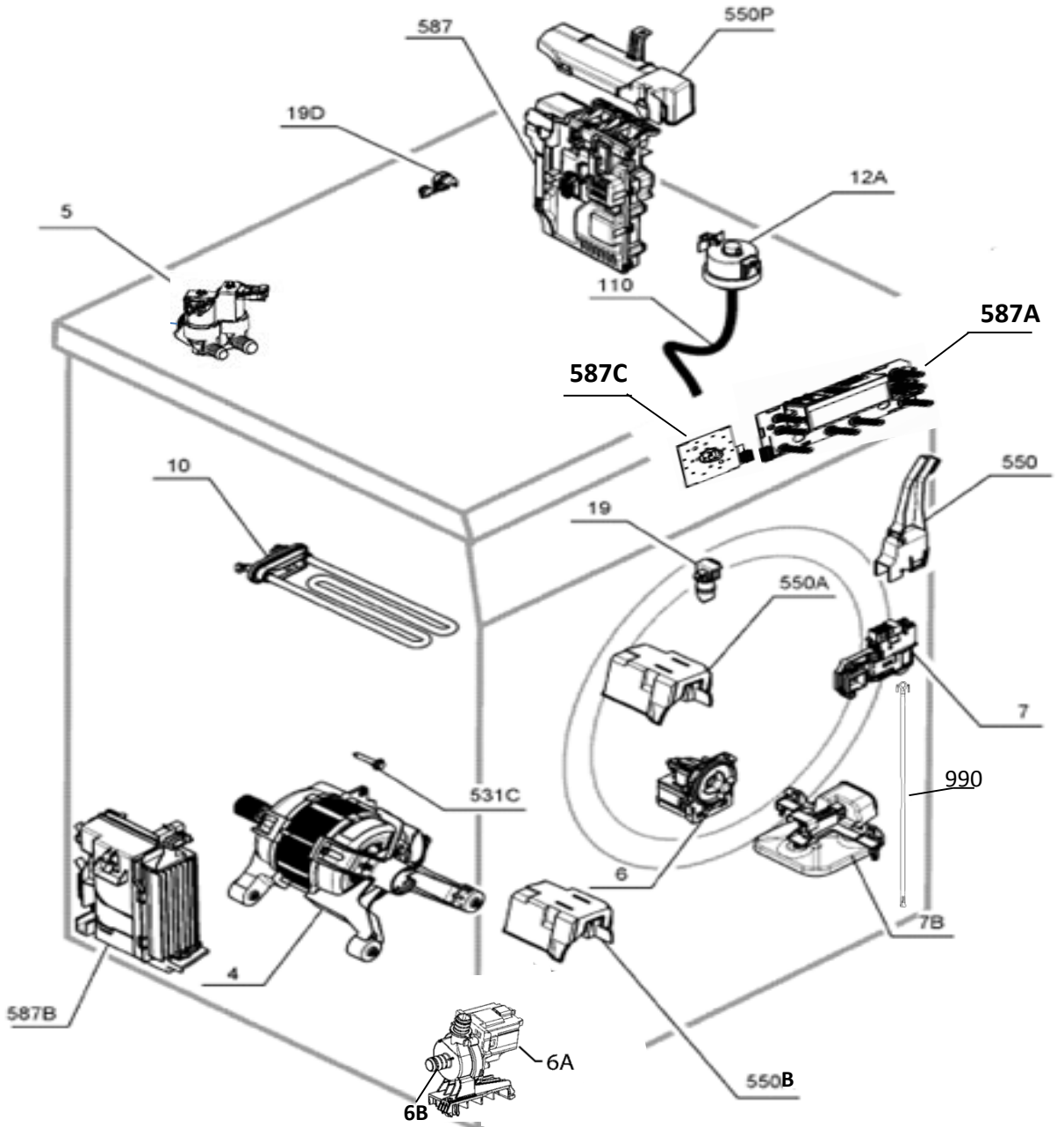
Publication-No.
150202



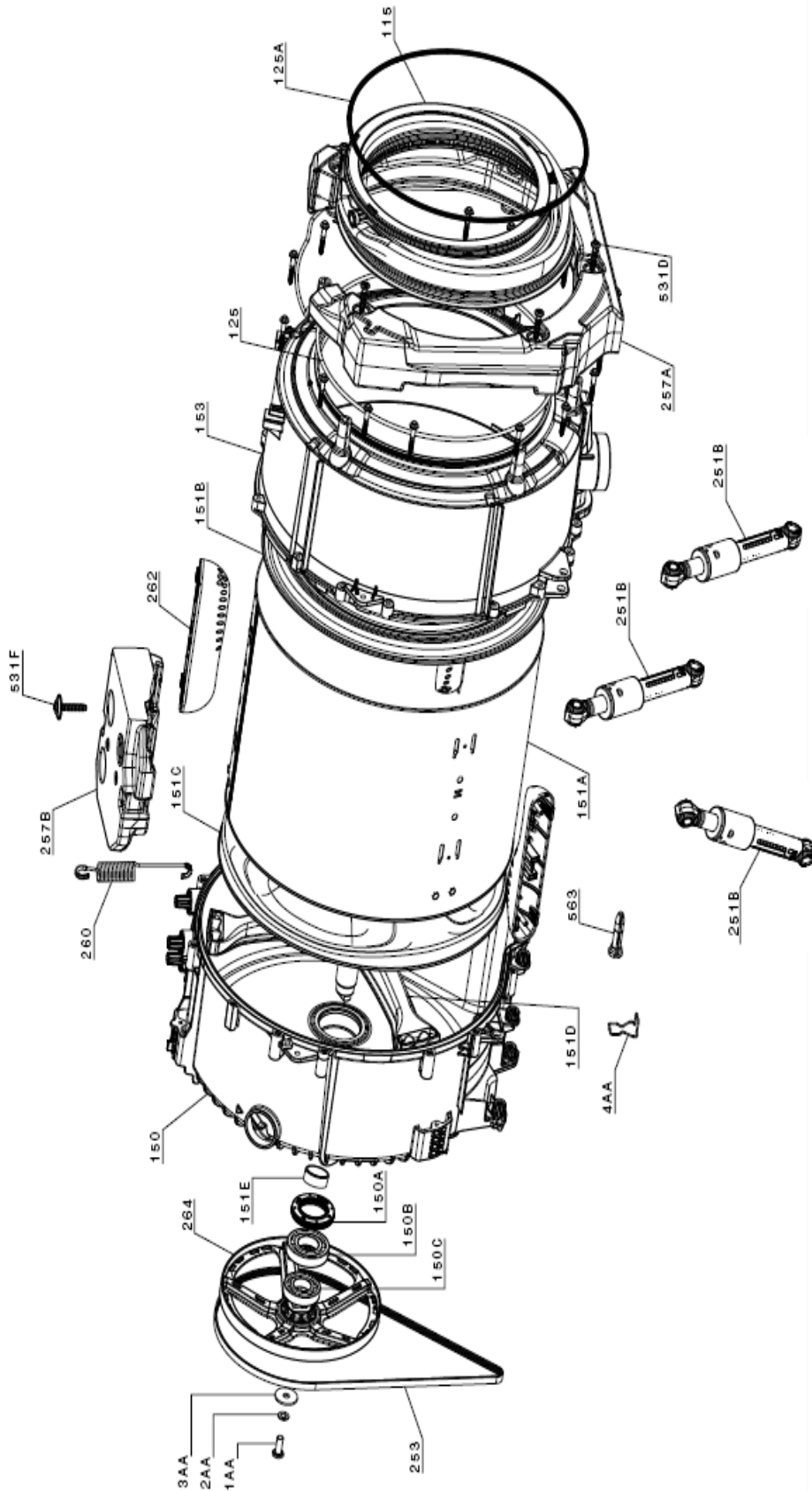
Pos.	Part No.	Description	EWFF12022 PNC 914900447	EWFF12022 PNC 914900451	EWFF12022 PNC 914900452	EWFF12022 PNC 914900525
13	110825803	DOOR SAFETY BUTTON	●	●	●	●
260	124067303	Spring,door stopper	●	●	●	●
300	147912111	PANEL FRONT HEC STD WHITE	●	●	●	●
300A	147912000	Cabinet,assembly, white	●	●	●	●
300B	132763805	Panel,back,high	●	●	●	●
303A	147904400	DOOR FILTER	●	●	●	●
308	147909900	Metal pivot bracket	●	●	●	●
312	147910700	porthole hing	●	●	●	●
323	132764000	Glass,porthole	●	●	●	●
323A	147909200	REAR PORTHOLE FRAME	●	●	●	●
323D	147909123	front,porthole frame chrome	●	●	●	●
323E	132766840	C.AQUA CONTROL+INV+G60 Jet	●	●	●	●
328B	132500760	Assembly,foot,bush ad just able	●	●	●	●
330	110877100	Nut,plastic	●	●	●	●
330C	124687403	UNPACKING KEY(SPANNER)	●	●	●	●
514	132002600	Hinge bushing	●	●	●	●
523D	132768502	Wiring Harness Support	●	●	●	●
530A	132766300	Reinforcement,hinge	●	●	●	●
530B	147909420	Door Handle Chrome	●	●	●	●
530C	124013721	DOOR LATCH	●	●	●	●
530D	132554110	CATCHER PIN ICON	●	●	●	●
530E	132829001	DOOR LATCH SPRING	●	●	●	●
552	132829100	Port Hole handle Spring	●	●	●	●
552A	132756700	VERTICAL HOSE SUPPORT	●	●	●	●
552B	132756600	HORIZZON HOSE SUPPORT	●	●	●	●
552C	132554120	DOOR HING PIN	●	●	●	●
563	132476800	CLIP,ASSEMBLY CLIP WITH LOCK	●	●	●	●
563E	132764701	ABSORBER,SUPPORT	●	●	●	●
586	147910820	UPPER_HINGE_COVER chrome	●	●	●	●
586C	147910920	LOWER_HINGE_COVER chrome	●	●	●	●
589	147909350	OUTER RING WM chrome	●	●	●	●



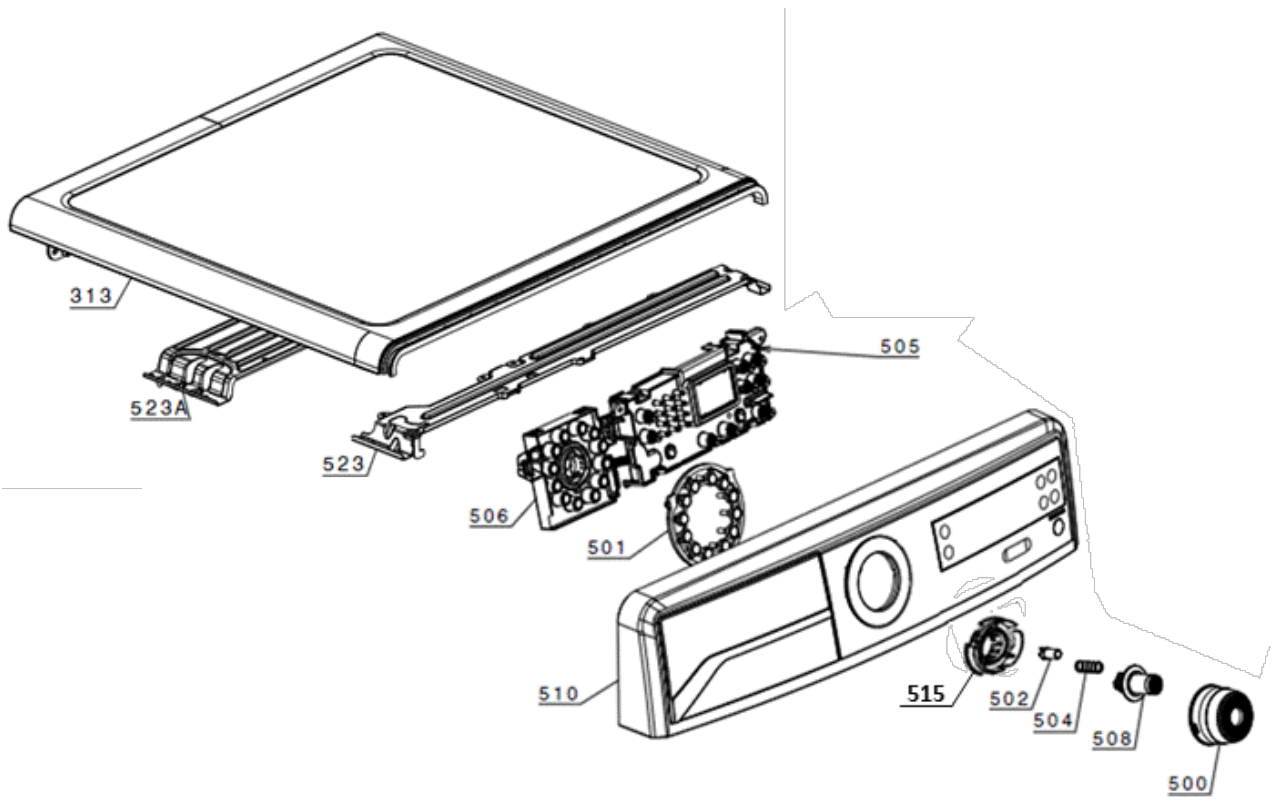
Pos.	Part No.	Description	EWF12022 PNC 914900447	EWF12022 PNC 914900451	EWF12022 PNC 914900452	EWF12022 PNC 914900525
106	124947013	VALVE CONNECTION	●	●	●	●
109	124014629	ASSY,CONVEYOR,WATER	●	●	●	●
110	147765420	INTERNAL DRAIN ASSY, G60	●	●	●	●
110A	132511300	SEALING HOSE,CIRCULATION,	●	●	●	●
110B	808155101	RECIRC.INTAKE HOSE	●	●	●	●
110D	533122128	PIPE CLIPM 22,1MM	●	●	●	●
110C	132540400	INLET DETERGENT HOSE	●	●	●	●
111P	147154925	TUBE,ELECTRIC VALVE,CONTAIN	●	●	●	●
111Q	147154924	TUBE,ELECTRIC VALVE,CONTAIN	●	●	●	●
111	132819700	INLET PIPE EXTRA SLIM ASSY	●	●	●	●
111H	132756500	RECIRCULATION HOSE	●	●	●	●
112	808276401	EXTERNAL DRAIN HOSE ASSY	●	●	●	●
140	132640844	DETERGENT DISPENSER LONG,GR	●	●	●	●
145	132766650	PUMP BODY ASSEMBLY JET	●	●	●	●
148	147170600	3 WAYS ADDITIVES SYPHON	●	●	●	●
148A	132726701	DRAWER PARTITION RIB L.D.	●	●	●	●
251B	132501401	BUFFER,UPPER,PUMP BODY	●	●	●	●
307	147171302	DRAWER	●	●	●	●
338	124291600	END PIECE DRAIN HOSE	●	●	●	●



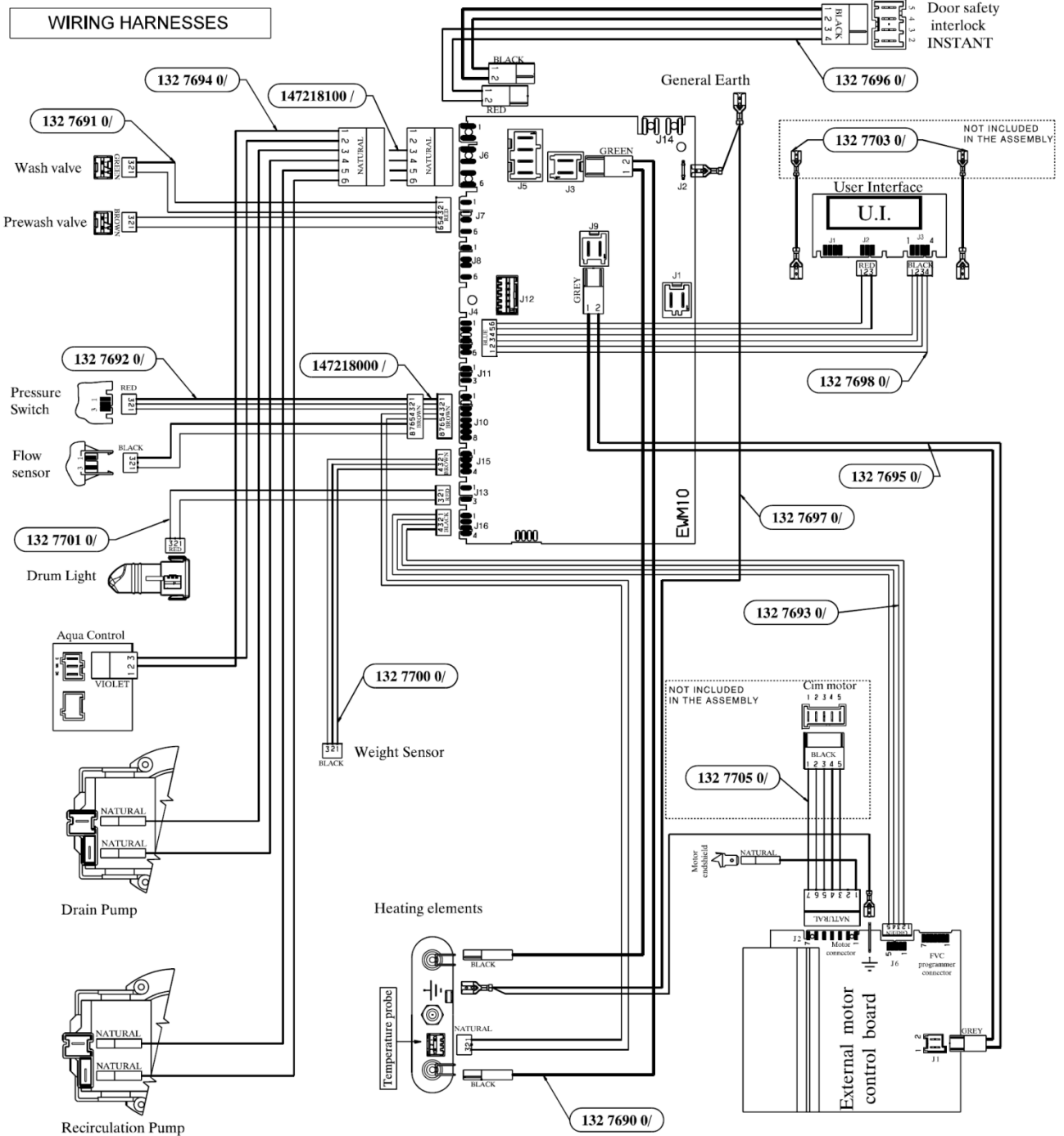
Pos.	Part No.	Description	EWX12022 PNC 914900447	EWX12022 PNC 914900451	EWX12022 PNC 914900452	EWX12022 PNC 914900525
4	807003903	MOTOR CIM-CU STK55-G60-HP CCC	●	●	●	●
5	132518622	VALVE INLET 2-WAY WITH FLOW	●	●	●	●
6	132611910	PUMP-ASSY DRAIN CU 50HZ SC		●	●	●
	132239201	Drain pump,ASKOLL 60Hz	●			
6A	132794710	CIRCULATION PUMP 50Hz		●	●	●
	132239001	CIRCULATION PUMP 60Hz	●			
6B	132768200	RECIRCULATION SCROLL	●	●	●	●
7	132846901	DOOR-LOCK INSTANT SECUR+	●	●	●	●
7B	132684201	SWITCH AQUA CONTROL ITW	●	●	●	●
10	132673000	HEATER-ASSY 3I1900X 1950W-230V	●	●	●	●
12A	132819501	SENSOR PRESSURE ST-545 0-380MM	●	●	●	●
19	132761800	P10 DRUM LIGHT ASSY	●	●	●	●
19D	129719603	CABLEDUCT,POWERCABLE	●	●	●	●
110	147194210	HOSE SET,PRESSURE SWITCH	●	●	●	●
531C	124022201	MOTOR SCREW(5,5x38TE)	●	●	●	●
550	A00109303	DOOR LOCK PROTECTION	●	●	●	●
550A	132117602	DRAIN PUMP PROTECTION	●	●	●	●
550B	132846500	DRAIN PUMP PROTECTION (RECIR)	●	●	●	●
550P	807021101	CONNECTOR PROTEC EWX11	●	●	●	●
587	97391490044700	Confing PCBA MB EWX11 H For PNC 914900447 ELC 00	●			
	97391490045100	Confing PCBA MB EWX11 H For PNC 914900451 ELC 00		●		
	97391490045200	Confing PCBA MB EWX11 H For PNC 914900452 ELC 00			●	
	97391490052500	Confing PCBA MB EWX11 H For PNC 914900525 ELC 00				●
587A	108677842	PCBA UI TC2-EUI12600	●	●	●	●
587B	808653401	PCBA MC UIMC-HP	●	●	●	●
587C	147862002	PCBA AUX SELECTOR-EAX12700	●	●	●	●
990	807484701	EMERGENCY DOOR LOCK STRIP	●	●	●	●
991	807286159	HARNESS-ASSY MAIN G60-X11-TC2A	●	●	●	●
992	807302702	HARNESS-ASSY SUB G60-MC	●	●	●	●
999	147220020	POWERCORD FL EU	●			●
999	147220120	POWERCORD FL UK			●	
999	147220210	POWERCORD FL TH		●		
587	807010424	Non Config Board PCBA MB EWX11 H	●	●	●	●



Pos.	Part No.	Description	EWF12022 PNC 914900447	EWF12022 PNC 914900451	EWF12022 PNC 914900452	EWF12022 PNC 914900525
115	132724646	PORTHOLE GASKET+LIGHT G60	●	●	●	●
125	132562100	SPRING,BELLOW,TUB,G33 ICON	●	●	●	●
125A	132556200	BELLOWS CLAMP WITH SPRING	●	●	●	●
150	132771850	ASSEMBLY,BACK TUB SHELL,G60W30	●	●	●	●
150A	124968500	SEALING RING	●	●	●	●
150B	132774920	BALL BEARING 30X62X16	●	●	●	●
150C	132774910	BALL BEARING 25X52X15	●	●	●	●
151	132762650	ASSEMBLY, DRUM ,G60,W30	●	●	●	●
151D	132762320	ASSEMBLY,SPIDER+BUSHING,W30	●	●	●	●
153	132762910	FRONT TUB SHELL G60	●	●	●	●
251B	132744210	FREE STROKE SHOCK ABSORB.	●	●	●	●
253	132353120	POLI-V BELT	●	●	●	●
257A	132768840	COUNTERWEIG.ASSY G50 WM 25MM	●	●	●	●
257B	132763620	UPPER COUNTERWEIGHT P10	●	●	●	●
260	132768412	TUB SPRING G60	●	●	●	●
262	132553004	LIFTER G33/P10	●	●	●	●
264	132396553	PULLEY (G60)	●	●	●	●
531D	132658901	FRONT COUNTERWEIGHT SCREW	●	●	●	●
531F	132729101	TOP COUNTER WEIGHT SCREW	●	●	●	●
563	132780412	SHOCK ABSORBER PIN	●	●	●	●
4AA	132763000	HEATING ELEMENT SPRING	●	●	●	●



Pos.	Part No.	Description	EWF12022 PNC 914900447	EWF12022 PNC 914900451	EWF12022 PNC 914900452	EWF12022 PNC 914900525
313	147761642	WORK TOP ASSEMBLY	●	●	●	●
500	147917000	KNOB ASSY CHROME TC2,TC3	●	●	●	●
501	147913900	KNOB DIFFISER	●	●	●	●
502	147914500	ON/OFF SPRING GUIDE TC2 TC3	●	●	●	●
504	147915800	ON/OFF SPRING TC2 TC3	●	●	●	●
505	147913400	LED DIFFUSOR SUPPORT TC2	●	●	●	●
506	147914000	SELECTOR BOX	●	●	●	●
508	147914410	ON/OFF KNOB PUSH BUTTON TC2/3	●	●	●	●
510	147769121	CONTROL PANEL, EWF12022 SEA	●	●	●	
	147769125	CONTROL PANEL, EWF12022 EU(VN)				●
515	147914201	KNOB BASE SUPPORT TC2 TC3	●	●	●	●
523	132552804	CONTROL BRACKET	●	●	●	●
523A	132550207	TUB SUSPENSION BRACKET ICON/	●	●	●	●



SAFETY WARNING

Always turn off and unplug the machine before detaching any parts.

When servicing machines, do not remove ANY detachable parts while the machine is powered. The reason is internal faults may cause shorts to components that are normally at low voltage presenting a shock hazard.

Exploded view no.: P91490045100
P09143084446

Matrix	PNC	ELC	ProdDate	Model
A	914900451	00	20140801	EWF12022

Pos	Part No.	Matrix	Description
------------	-----------------	---------------	--------------------