

Spare parts list

Household drying equipment
4545

PNC	ELC	Brand	Model	Market
916002038	00	Electrolux	EDV705	TH

Tumbler driers (excl condense driers)

Electrolux

Publication-No.

599744666

2011/08/01

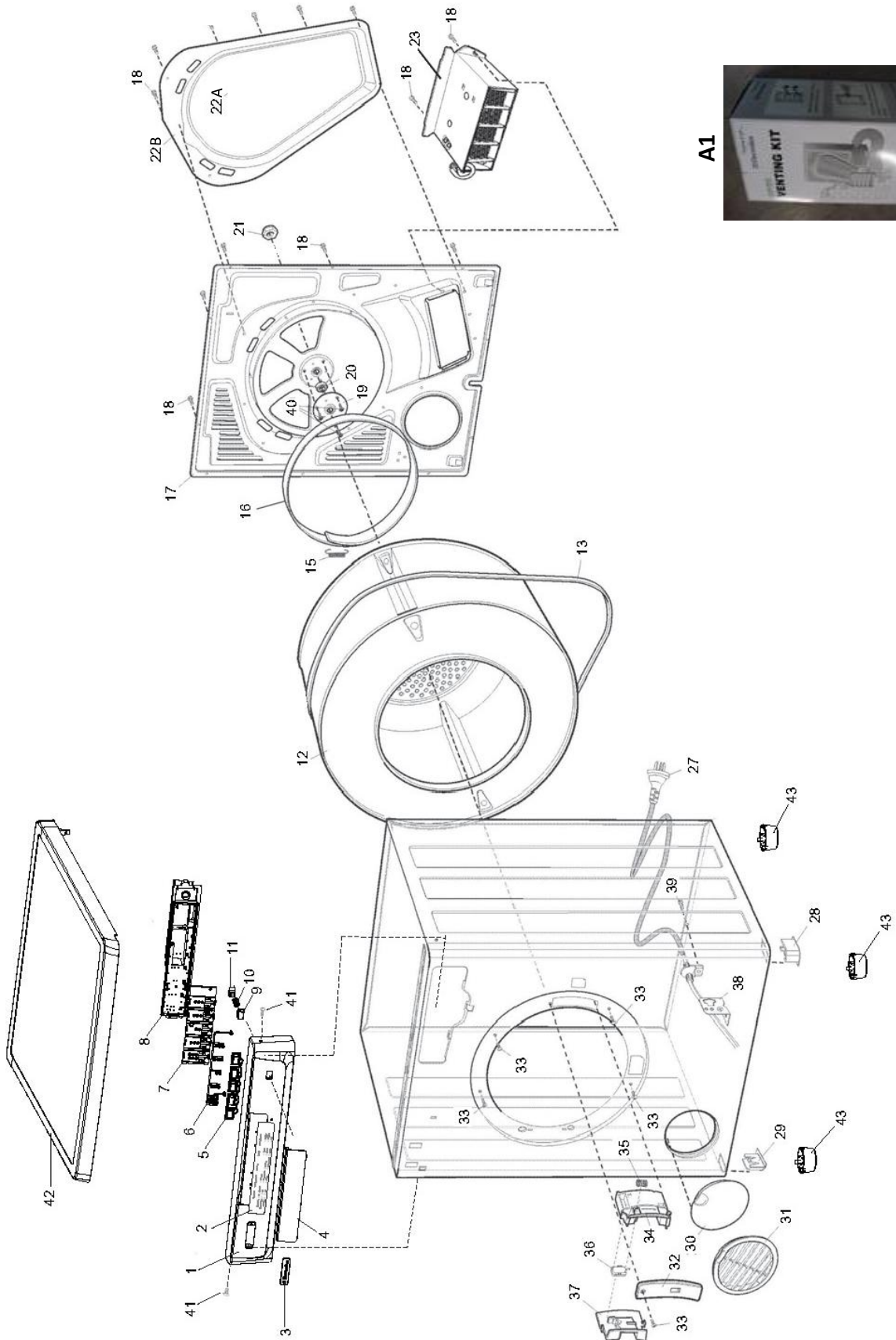
THR

Item	PNC	ELC	Brand	Model	Market
A	916002029	00	Electrolux	EDV605	MYH/SGE
A	916002030	00	Electrolux	EDV605	THE
A	916002032	00	Electrolux	EDV705	VNE/IDH
A	916002037	00	Electrolux	EDV705	MYH/SGE
A	916002038	00	Electrolux	EDV705	THE
A	916002034	00	Electrolux	EDV705G	VNE/IDH
A	916002035	00	Electrolux	EDV705G	MYH/SGE
A	916002036	00	Electrolux	EDV705G	THE
A	916002053	00	Electrolux	EDV705G	IND

Tumble Driers

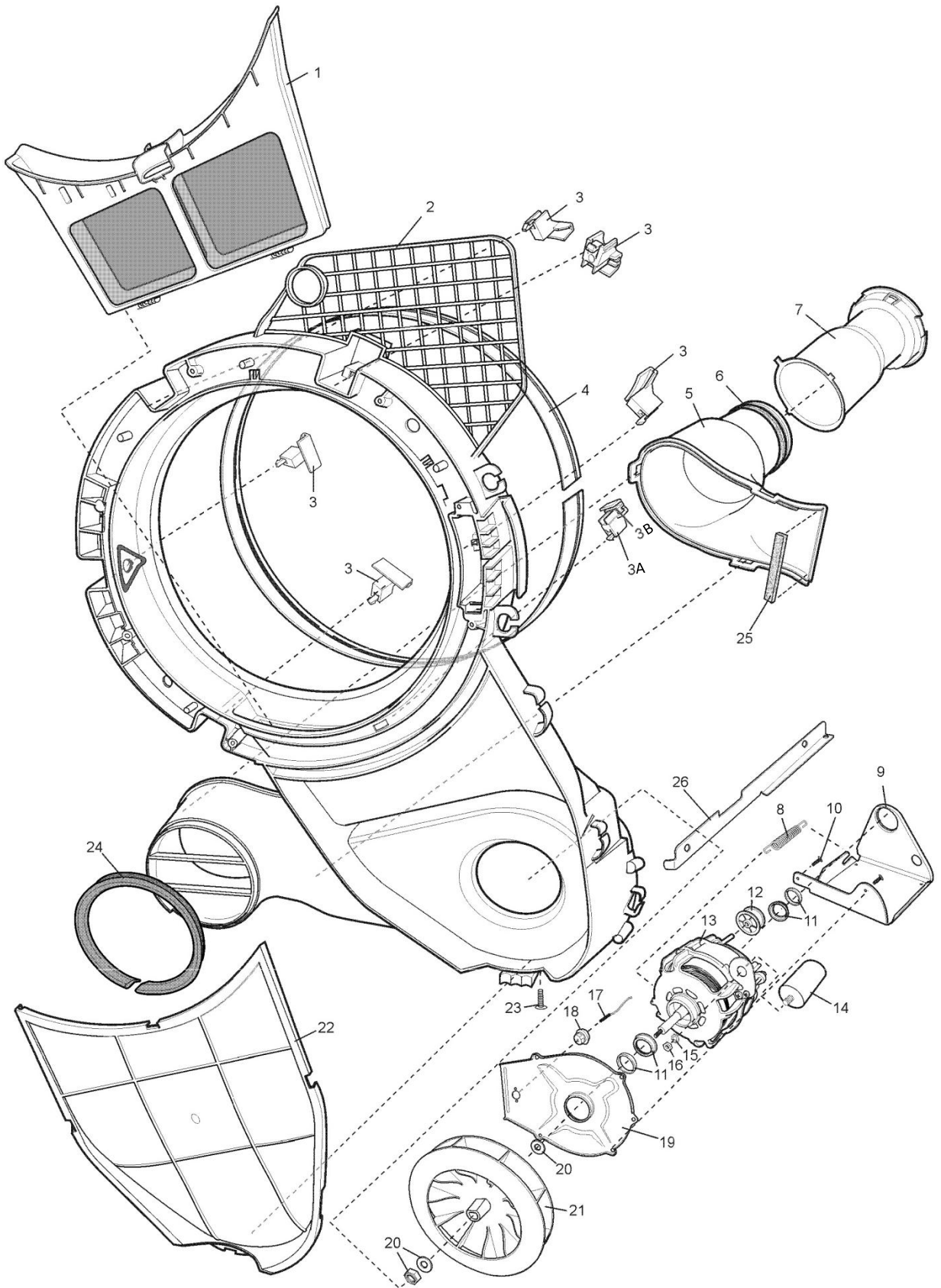
Electrolux Thailand Co.,Ltd.
 1910 Electrolux Building
 New Petchburi Rd.
 Bangkok
 Huaykwang
 Bangkok , 10310
 Tel : +662 725 9000

Publication-No.
 110801

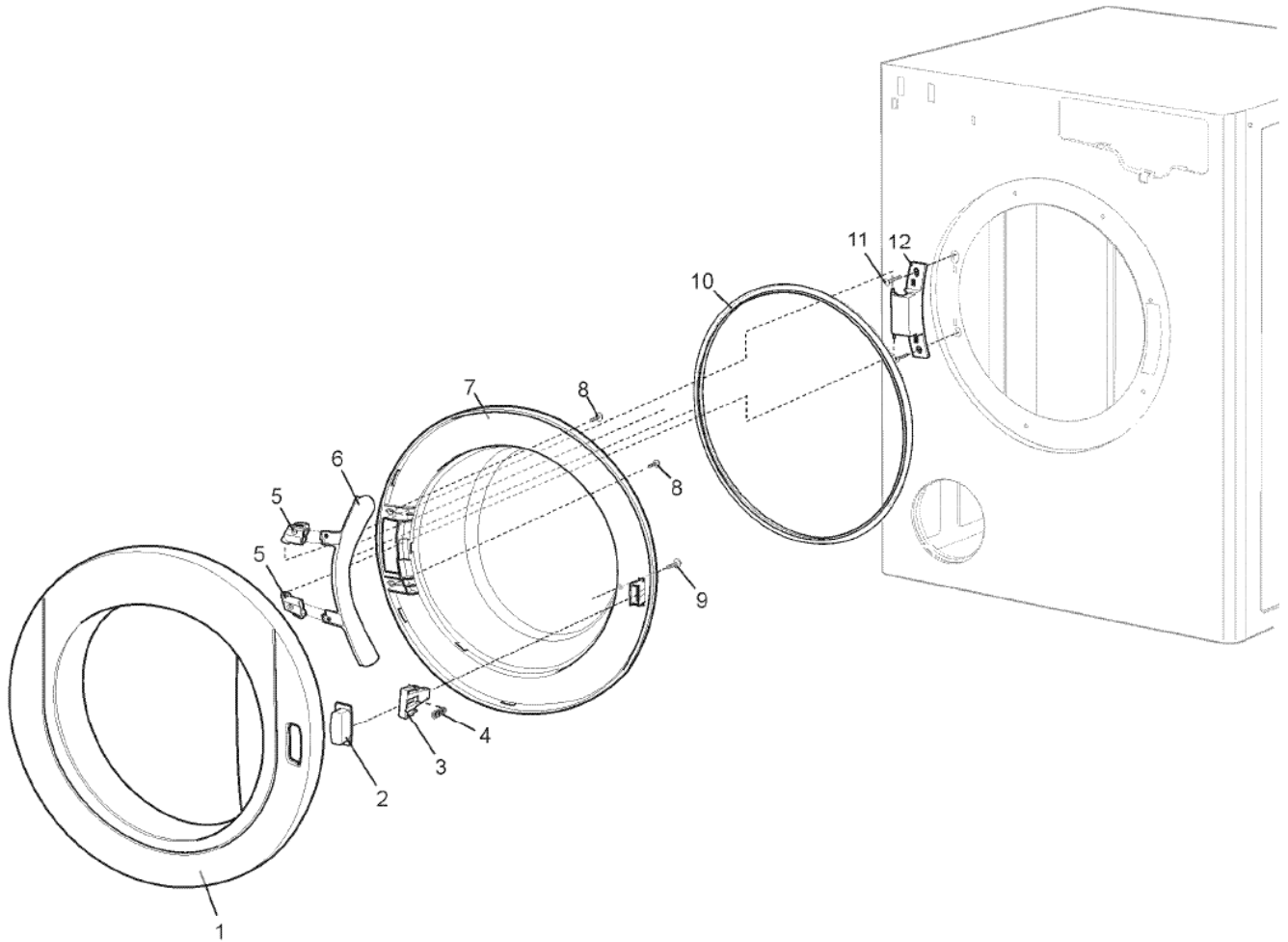


Pos.	Part No.	Description	EDV605 916002029 MYH/SGE	EDV605 916002030 THE	EDV705 916002032 VNE/IDH	EDV705 916002037 MYH/SGE	EDV705 916002038 THE	EDV705G 916002039 VNE/IDH	EDV705G 916002040 MYH/SGE	EDV705G 916002041 THE	EDV705G 916002052 IND
1	133603700	TRIM PANEL - SUB ASSY ELEC W	●	●							
	133603900	TRIM PANEL-SUB ASSY ELEC 705			●	●	●				
	133603910	TRIM PANEL-SUB ASSY ELEC 705 - ARCTIC GREY						●	●	●	●
2	133266901	TRIM INSERT - WHITE	●	●	●	●	●				
	133266911	TRIM INSERT - ARCTIC GREY						●	●	●	●
3	Inc.Item1	BADGE NAME PLATE E/LUX	●	●	●	●	●	●	●	●	●
4	133268000	COVER TRIM INSERT WINDOW	●	●	●	●	●	●	●	●	●
5	133380000	PUSH BUTTON PROGRAM SELECTION	●	●	●	●	●	●	●	●	●
6	133265900	LIGHTPIPE - E/LUX (ETOSHA)	●	●	●	●	●	●	●	●	●
7	133266800	TRIM INSERT SUPPORT-ETOSHA	●	●	●	●	●	●	●	●	●
8	133406500	CONTROL ASSY ELEC - ETOSHA	●	●	●	●	●	●	●	●	●
9	133380200	BUTTON ON/OFF (ETOSHA)	●	●	●	●	●	●	●	●	●
10	133145400	SPRING ON/OFF BUTTON	●	●	●	●	●	●	●	●	●
11	133030200	SWITCH POWER ON/OFF	●	●	●	●	●	●	●	●	●
12	133404110	DRUM ASSY 6KG SS	●	●	●	●	●	●	●	●	●
13	133330200	BELT DRUM DRIVE-CPD (7 RIB)	●	●	●	●	●	●	●	●	●
15	133145600	SPRING DRUM SEAL	●	●	●	●	●	●	●	●	●
16	133409000	SEAL DRUM ASSY	●	●	●	●	●	●	●	●	●
17	133137900	PANEL BACK-CPD	●	●	●	●	●	●	●	●	●
18	133123100	SCREW NO.8X3/8 HEX WASHER HD	●	●	●	●	●	●	●	●	●
19	133138200	BEARING COVER	●	●	●	●	●	●	●	●	●
20	133100000	BEARING 608ZZC4/10MM-ETK 50%	●	●	●	●	●	●	●	●	●
21	133120900	NUT M8 22441-518	●	●	●	●	●	●	●	●	●
22A	133135800	COVER PANEL BACK	●	●	●	●	●	●	●	●	●
22B	133135900	COVER PANEL OUTER	●	●	●	●	●	●	●	●	●
23	133417000	BRACKET & HEATER ASSY	●	●	●	●	●	●	●	●	●
27	133005200	CABLE SERVICE CORD (EU)			●			●			
	133005300	CABLE SERVICE CORD (UK)	●			●			●		
	133005400	CABLE SERVICE CORD (TH)		●			●			●	
	133005700	CABLE SERVICE CORD (INDIA)									●
28	133260300	PLUG CORNER RIGHT - WHITE	●	●	●	●	●				
	133260310	PLUG CORNER RIGHT - ARCTIC GREY						●	●	●	●
29	133260200	PLUG CORNER LEFT - WHITE	●	●	●	●	●				
	133260210	PLUG CORNER LEFT - ARCTIC GREY						●	●	●	●
30	133376300	COVER EXHAUST END CAP - WHITE	●	●	●	●	●				
	133376310	COVER EXHAUST END CAP - ARCTIC GREY						●	●	●	●

Pos.	Part No.	Description	EDV605 916002029 MYH/SGE	EDV605 916002030 THE	EDV705 916002032 VNE/IDH	EDV705 916002037 MYH/SGE	EDV705 916002038 THE	EDV705G 916002034 VNE/IDH	EDV705G 916002035 MYH/SGE	EDV705G 916002036 THE	EDV705G 916002037 IND
31	133377600	GRILLE EXHAUST OUTLET - WHITE	●	●	●	●	●				
	133377610	GRILLE EXHAUST OUTLET - ARCTIC GREY						●	●	●	●
32	133376100	COVER DOOR SWITCH BRACKET	●	●	●	●	●				
	133376110	COVER DOOR SWITCH BRACKET - ARCTIC GREY						●	●	●	●
33	133123700	SCREW M4X1.75X14 PLASTITE HE	●	●	●	●	●	●	●	●	●
34	133280200	BRACKET DOOR SWITCH CPD	●	●	●	●	●	●	●	●	●
35	133145500	SPRING STRIKER DOOR SWITCH	●	●	●	●	●	●	●	●	●
36	133025200	SWITCH MICRO DOOR	●	●	●	●	●	●	●	●	●
37	133260800	STRIKER DOOR SWITCH	●	●	●	●	●	●	●	●	●
38	133137300	BRACKET HARNESS RETAINER	●	●	●	●	●	●	●	●	●
39	133123600	SCREW NO.8X10 21479-212	●	●	●	●	●	●	●	●	●
40	119122400	SCREW HWH NO.10-16 ABX1/2'	●	●	●	●	●	●	●	●	●
41	133122900	SCREW 6-18*10 WSH HD	●	●	●	●	●	●	●	●	●
42	133423000	WORK TOP ASSY E/LUX WHITE	●	●	●	●	●				
	133423010	WORK TOP ASSY E/LUX ARCTIC GREY						●	●	●	●
43	133245400	LEGS LEVELING	●	●	●	●	●	●	●	●	●
A1	133410201	DRYER VENTING KIT	●	●	●	●	●	●	●	●	●

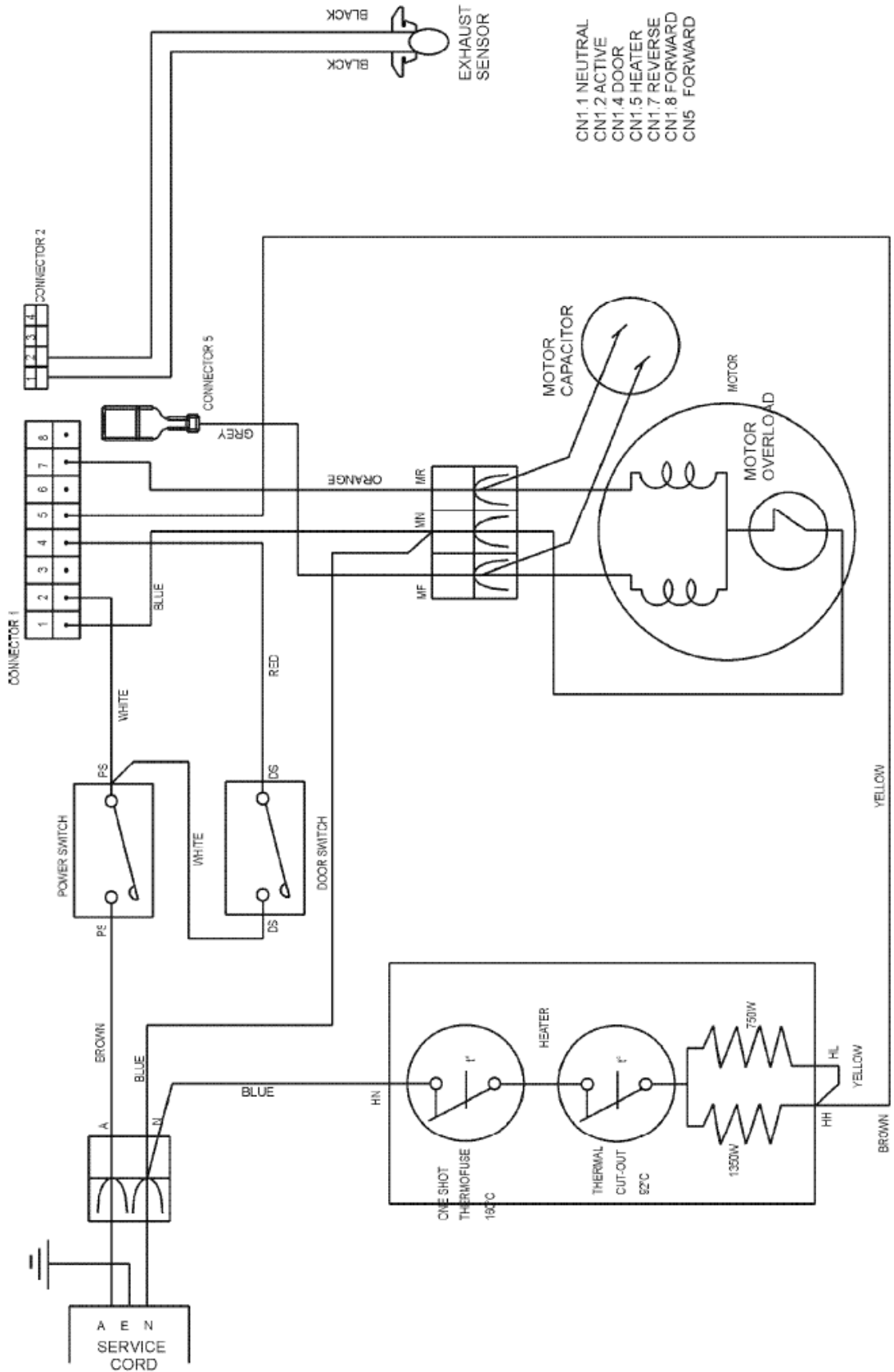


Pos.	Part No.	Description	EDV605 916002029 MYH/SGE	EDV605 916002030 THE	EDV705 916002032 VNE/IDH	EDV705 916002037 MYH/SGE	EDV705 916002038 THE	EDV705G 916002034 VNE/IDH	EDV705G 916002035 MYH/SGE	EDV705G 916002036 THE	EDV705G 916002037 IND
1	133403500	FILTER ASSY CPD	●	●	●	●	●	●	●	●	●
2	133403100	HOUSING BLOWER&COVER ASSY - WHITE	●	●	●	●	●				
	133403110	HOUSING BLOWER&COVER ASSY- ARCTIC GREY						●	●	●	●
3	133255100	BEARING PAD-CPD	●	●	●	●	●	●	●	●	●
3A	133255201	BEARING FACE - HIGH LOAD	●	●	●	●	●	●	●	●	●
3B	133260600	BEARING BASE - HIGH LOAD	●	●	●	●	●	●	●	●	●
4	133220300	SEAL DRUM FRONT	●	●	●	●	●	●	●	●	●
5	133400800	COVER HOUSING DUCT	●	●	●	●	●	●	●	●	●
6	Inc.Item5	SEAL COVER HOUSING DUCT LARGE	●	●	●	●	●	●	●	●	●
7	133276300	DUCT EXTENSION	●	●	●	●	●	●	●	●	●
8	133145200	SPRING IDLER TENSION	●	●	●	●	●	●	●	●	●
9	133136801	BRACKET MOTOR SUPT REAR CPD	●	●	●	●	●	●	●	●	●
10	133123800	SCREW M4X1.75X14 PLASTITE HE	●	●	●	●	●	●	●	●	●
11	133408000	RING ASSEMBLY	●	●	●	●	●	●	●	●	●
12	133404300	PULLEY IDLER ASSY CPD	●	●	●	●	●	●	●	●	●
13	133040500	MOTOR 2 POLE CPD	●	●	●	●	●	●	●	●	●
14	133418520	Capacitor with nut & washer Assy(8uF)	●	●	●	●	●	●	●	●	●
15	Inc.Item14	WASHER, 8 mm EXT SHAKE PROOF	●	●	●	●	●	●	●	●	●
16	Inc.Item14	NUT,M8 HEX	●	●	●	●	●	●	●	●	●
17	133010310	WIRE HARNESS CPD ELECTRONIC (Inc. Thermistor & Item 18)	●	●	●	●	●	●	●	●	●
18	Inc.Item17	Grommet	●	●	●	●	●	●	●	●	●
19	133135100	PLATE MOTOR MTG-CPD	●	●	●	●	●	●	●	●	●
20	133121800	WASHER 1/4X15.88X2	●	●	●	●	●	●	●	●	●
	133121900	WASHER SPRING M6	●	●	●	●	●	●	●	●	●
	133121000	NUT M6	●	●	●	●	●	●	●	●	●
21	133275100	FAN(CPD)	●	●	●	●	●	●	●	●	●
22	133275400	COVER HOUSING BLOWER	●	●	●	●	●	●	●	●	●
23	133123700	SCREW M4X1.75X14 PLASTITE PA	●	●	●	●	●	●	●	●	●
24	133395200	SEAL BLOWER HOUSING	●	●	●	●	●	●	●	●	●
25	133400800	COVER & SEAL ASSY	●	●	●	●	●	●	●	●	●
26	133137400	BRACKET BASE STIFFENER	●	●	●	●	●	●	●	●	●



Pos.	Part No.	Description	EDV605 MYH/SGE	EDV605 THE	EDV705 VNE/IDH	EDV705 MYH/SGE	EDV705 THE	EDV705G VNE/IDH	EDV705G MYH/SGE	EDV705G THE	EDV705G IND
1	133376600	COVER DOOR E/LUX CPD	●	●	●	●	●				
	133376610	COVER DOOR E/LUX CPD - SILVER						●	●	●	●
2	133380100	BUTTON DOOR E/LUX	●	●	●	●	●				
	133380110	BUTTON DOOR E/LUX - SILVER						●	●	●	●
3	133270501	STRIKER DOOR	●	●	●	●	●	●	●	●	●
4	133145300	SPRING LATCH DOOR	●	●	●	●	●	●	●	●	●
5	133260100	HINGE PLATE BEARING	●	●	●	●	●	●	●	●	●
6	133105100	BRACKET DOOR HINGE BRACE	●	●	●	●	●	●	●	●	●
7	133265111	DOOR WINDOW(POLAR MINT)	●	●	●	●	●	●	●	●	●
8	133124000	SCREW M4X18 TAPTITE 2000	●	●	●	●	●	●	●	●	●
9	133123700	SCREW M4X 1.75X14 PLASTITE PA	●	●	●	●	●	●	●	●	●
10	133395300	SEAL DOOR EXTRUDED	●	●	●	●	●	●	●	●	●
11	133123900	SCREW M4X1.75X20 PLASTITE PA	●	●	●	●	●	●	●	●	●
12	133105200	HINGE-DIE CAST	●	●	●	●	●	●	●	●	●

Ex. View Drawing Wiring Diagram



- CN1.1 NEUTRAL
- CN1.2 ACTIVE
- CN1.4 DOOR
- CN1.5 HEATER
- CN1.7 REVERSE
- CN1.8 FORWARD
- CN5 FORWARD

POWER SUPPLY	220-240 V~, 50 Hz, 10 A.
HEATER TOTAL RED TO BLACK WIRE WHITE TO BLACK WIRE	DUAL ELEMENT 2100W 750W - 68Ω (APPROX) 1350W - 38Ω (APPROX)
PROGRAMS SENSOR MANUAL TEMPERATURE SETTINGS OPTIONS	PUSH BUTTON SELECTION EXTRA DRY, NORMAL DRY & IRON DRY 90 MIN, 60 MIN & 30 MIN NORMAL, DELICATES & AIRING BUZZER (END OF PROGRAM ONLY) & CREASE FREE
MOTOR RED TO WHITE WIRE BLUE TO WHITE WIRE RED TO BLUE WIRE LOCKED ROTOR CURRENT CAPACITOR	PSC REVERSING WITH A SELF RESETTING OVERLOAD 29Ω (APPROX) 30Ω (APPROX) 59Ω (APPROX) 2 AMP (APPROX) 8μF
TEMPERATURE CONTROL EXHAUST SENSOR THERMAL CUTOUT SAFETY	NTC THERMISTOR-LOCATED ON THE MOTOR MOUNTING PLATE OPENS 92°C - PART OF THE HEATER ASSY ONE SHOT FUSIBLE 170°C - PART OF THE HEATER ASSY
DRYING CAPACITY (TO ASNZS 2442.1)	EDV605 - 6 Kg EDV705 - 7 Kg EDV705G - 7 Kg
ENERGY LABEL RATING	N/A
DIMENSIONS EDV606E	800 mm (H) x 602 mm (W) x 598 mm (D)
ACCESSORIES	DRYER VENTING KIT P/No.: 133410200

Exploded view no.: P91600203800
P09163062440

Matrix	PNC	ELC	ProdDate	Model
A	916002038	00	20110401	EDV705

Pos	Part No.	Matrix	Description
------------	-----------------	---------------	--------------------