

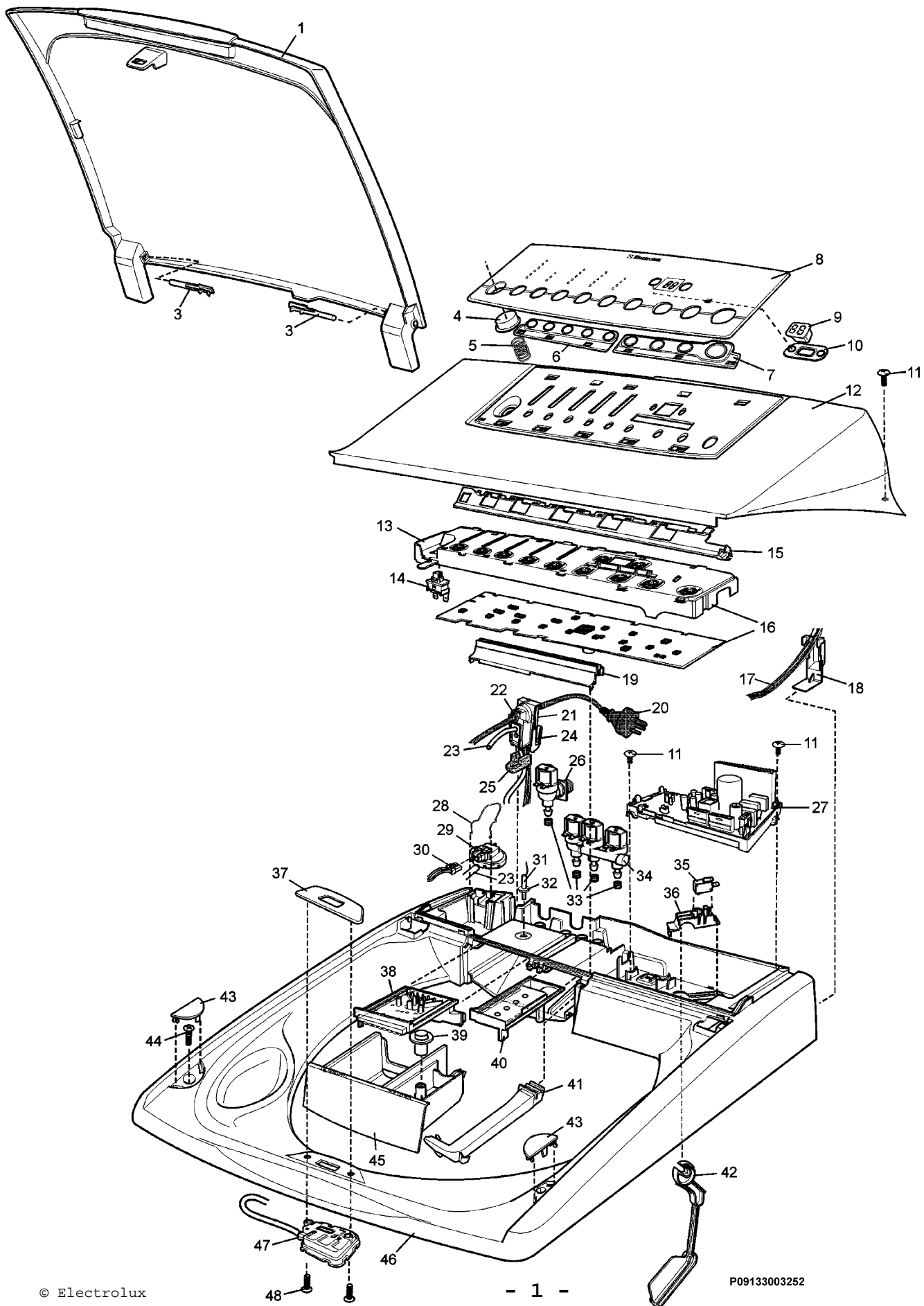
Household washing machines
2510

PNC	ELC	Brand	Model	Market
913041015	00	Electrolux	EWT806TH	AU - NZ

Electrolux Italia S.p.A.
Corso Lino Zanussi 30
I - 33080 Porcia
Italy
Fax +39 (0)434 394096

Publication-No.
599715150
2009/01/21
THR

Washing machines,
top-loaded



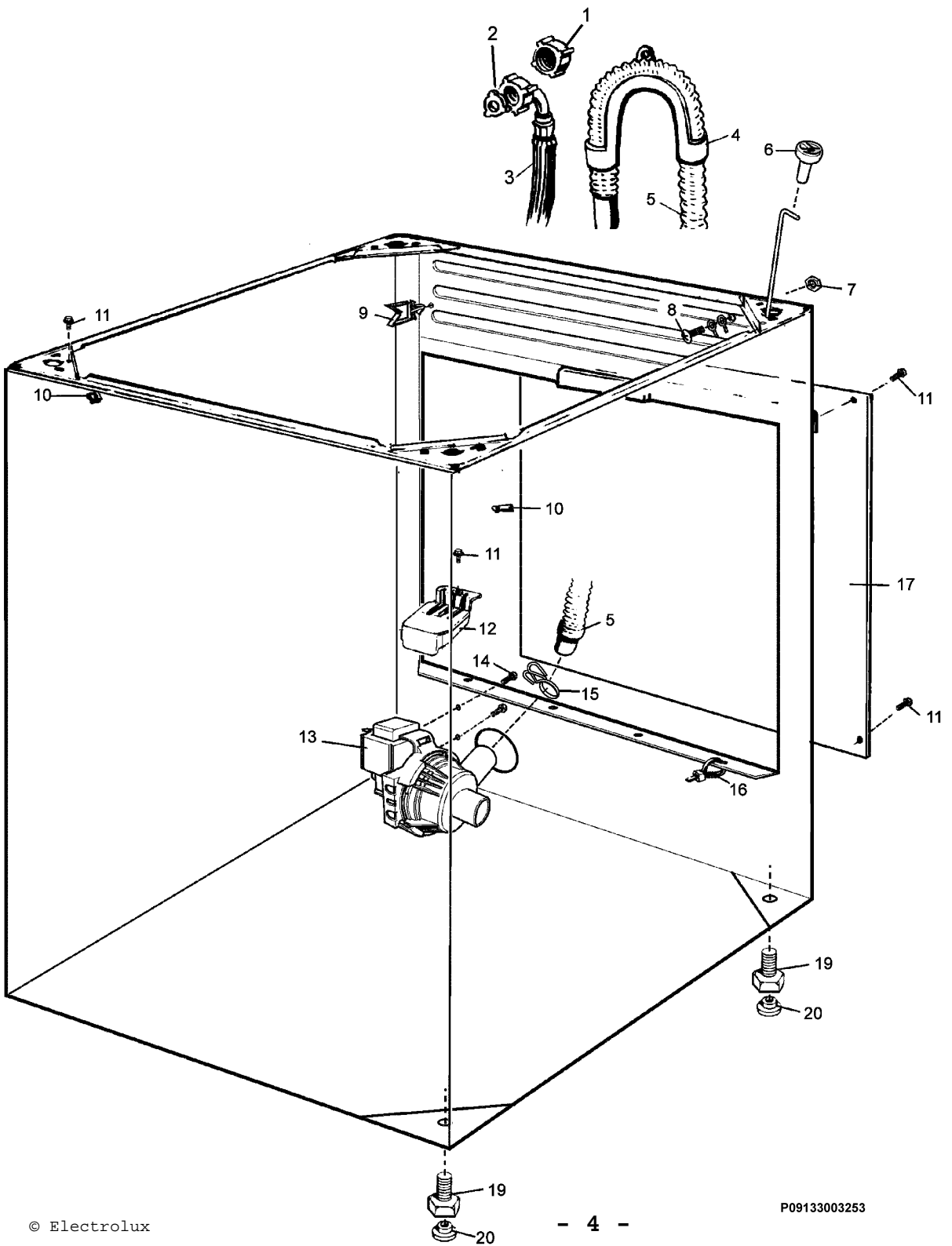
Matrix	PNC	ELC	ProdDate	Model
A	913041015	00	20081001	EWT806TH

Pos	Part No.	Matrix	Description
1	1194304109	A	Lid assembly
3	1192505004	A	Hinge pin,bezel
4	1192274007	A	Button,on/off
5	1191503000	A	Spring,button,on/off
6	1193553300	A	Keyboard,(Program & Options)
7	1193565007	A	Keyboard,(Start/Pause)
8	1196010001	A	Programme plate
9	1192272001	A	Display,electronic
10	1193554308	A	Button,(Soak & Delay)
11	1191219003	A	Screw,flange,7-19x1/2'
12	1192265005	A	Panel,switch
13	1194097000	A	Housing,control unit
14	1190252005	A	On/off switch
15	1192254009	A	Lock plate
16	1194089007	A	Housing,complete
17	1193807102	A	Harness,EMC
18	1192262002	A	Cover,harness
19	1192264008	A	Sleeve,protection
20	1190404101	A	Power cable
21	1190014009	A	Cord set
22	1192276002	A	Cable,Cover,adaptor
23	1194270003	A	Pipe,air
24	1192277000	A	Adaptor,cable
25	1193801006	A	Adaptor,seal,steam,(29mm)
26	1190302008	A	Valve,(HOT)
27	1194094007	A	Assembly,electronics module,power
28	1191233004	A	Seal,switch,pressure
29	1190152007	A	Sensor,water level
30	1190011005	A	Harness,water level
31	1190007003	A	Harness
32	1193572003	A	Seal,temperature sensor
33	1193571005	A	Nut,valve
34	1190303006	A	Valve,input,Triple
35	1190202000	A	Switch
36	1192604005	A	Sleeve
37	1192510004	A	Locking bow,bezel
38	1192675005	A	Protection,dispenser,Cleaner
39	1192651006	A	Air outlet flap,dispenser,Softener
40	1192674008	A	Protection,dispenser,Softener
41	1192263000	A	Jet,rinse
42	1192453007	A	Lever
43	1192460002	A	Protective cover
44	1191226008	A	Screw,FLG HD No.8-18ABx1"
45	1194066005	A	Assembly,Drawer,detergent dispenser

Exploded view no.: P09133003252
P09133003252

Matrix	PNC	ELC	ProdDate	Model
A	913041015	00	20081001	EWT806TH

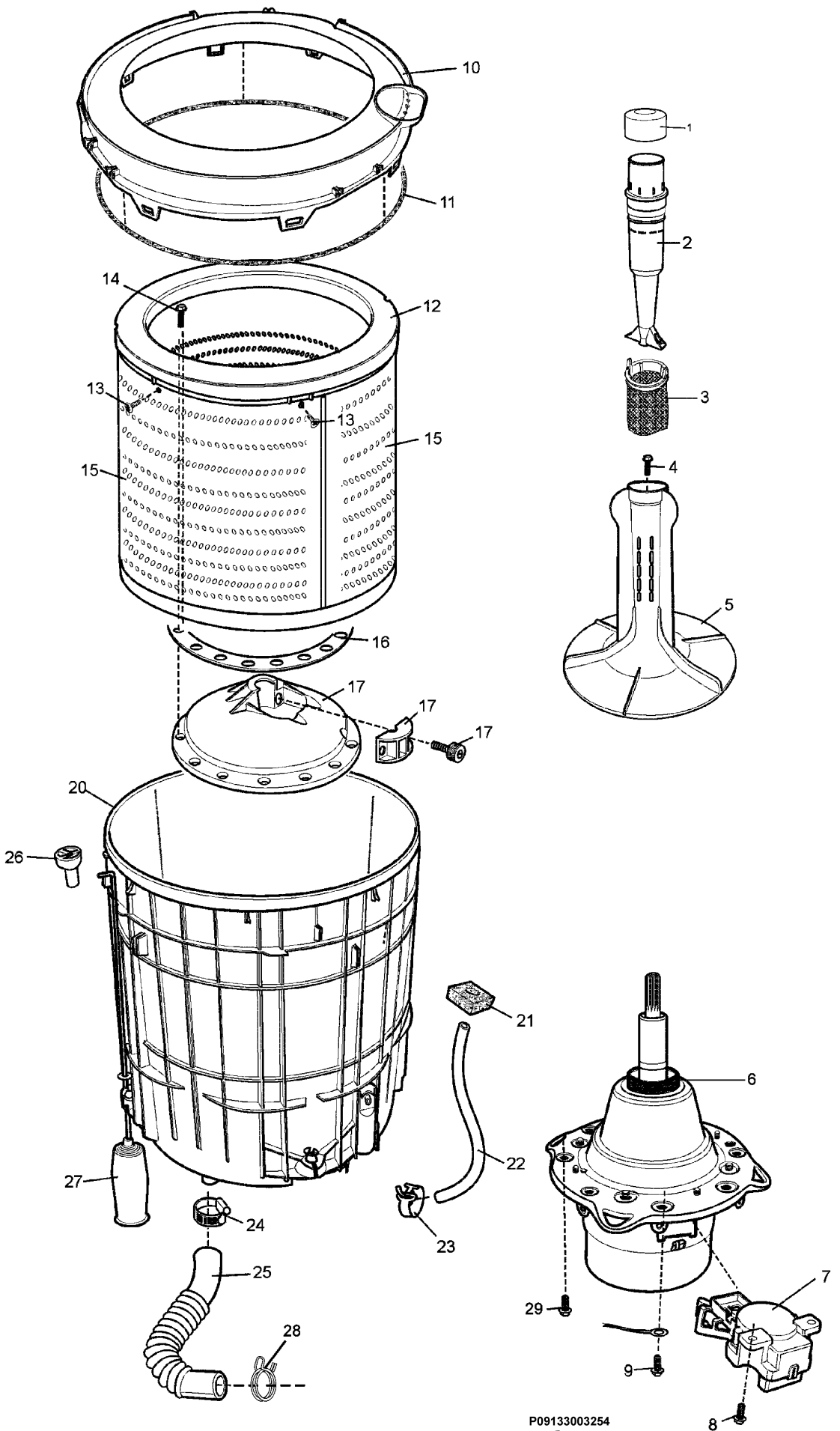
Pos	Part No.	Matrix	Description
46	1194025001	A	Panel, top
47	1194146005	A	Door lock, bezel
48	1191239001	A	Screw, PAN PH 7-19*1/2'



Exploded view no.: P09133003253
P09133003253

Matrix	PNC	ELC	ProdDate	Model
A	913041015	00	20081001	EWT806TH

Pos	Part No.	Matrix	Description
1	1193652003	A	Nut
2	1193653001	A	Plain washer
3	1194175004	A	Hose set, input, blue
4	1192401006	A	Hook, drain hose
5	1192402004	A	Discharge hose
6	1192602009	A	Air outlet flap, plunger, suspension, top
7	1191206000	A	Nut, earth
8	1191230000	A	Screw, earth
9	1192506002	A	Clip, cable
10	1191211000	A	Clip, speed nut
11	1191224003	A	Screw, No.10-16 ABX1/2"
12	1192260006	A	Cover, Pump
13	1190951002	A	Pump
14	1191214004	A	Screw, M6x12mm Hex.HD
15	1191505005	A	Door lock
16	1192803003	A	Door lock, plastic
17	1191454006	A	Rear panel
19	1194015002	A	Leg, antivibration
20	1192353009	A	Antivibration, adjustable foot



Exploded view no.: P09133003254
P09133003254

Matrix	PNC	ELC	ProdDate	Model
A	913041015	00	20081001	EWT806TH

Pos	Part No.	Matrix	Description
1	1192704003	A	Air outlet flap
2	1192667101	A	Strainer
3	1194222004	A	Micro sieve, complete
4	1191220001	A	Screw, M6x20mm 430 S/S
5	1192681102	A	Element, mixing blade
6	1190353001	A	Assembly, motor
7	1190355105	A	Motor
8	1191237005	A	Screw
9	1191222007	A	Screw, HWH M5*0,8*8
10	1194013601	A	Cover, outer
11	1192552006	A	Seal, Cover, outer
12	1194121008	A	Ring
13	1191215001	A	Screw, FL HD S/TAPP 6x1/2
14	1191225000	A	Screw, IND HWH M6*10 S/S
15	1191903002	A	Roller, internal
16	1192673000	A	Sealing, roller
17	1194006001	A	Plate, Support, roller
20	1194050009	A	Roller, outer
21	1193851001	A	Protection hose
22	1193752001	A	Pipe, air, (925mm)
23	1191238003	A	Door lock
24	1191202009	A	Door lock
25	1193501002	A	Pump tube
26	1192602009	A	Air outlet flap, plunger, suspension, top
27	1191553005	A	Rod, suspension, wide
28	1191204005	A	Door lock, tube
29	1191229002	A	Screw, 1/4-10*50