

Spare parts list

Household washing machines
2520

PNC	ELC	Brand	Model	Market
914900303	00	Electrolux	EWF10841	TH

Electrolux

Publication-No.

599742292

2011/04/28

THR

Washing machines,
front-loaded

Item	PNC	ELC	Brand	Model	Market
A	914900303	00	Electrolux	EWF10841	TH
A	914900304	00	Electrolux	EWF10841	IN/VN
A	914900305	00	Electrolux	EWF10841	MY/SG

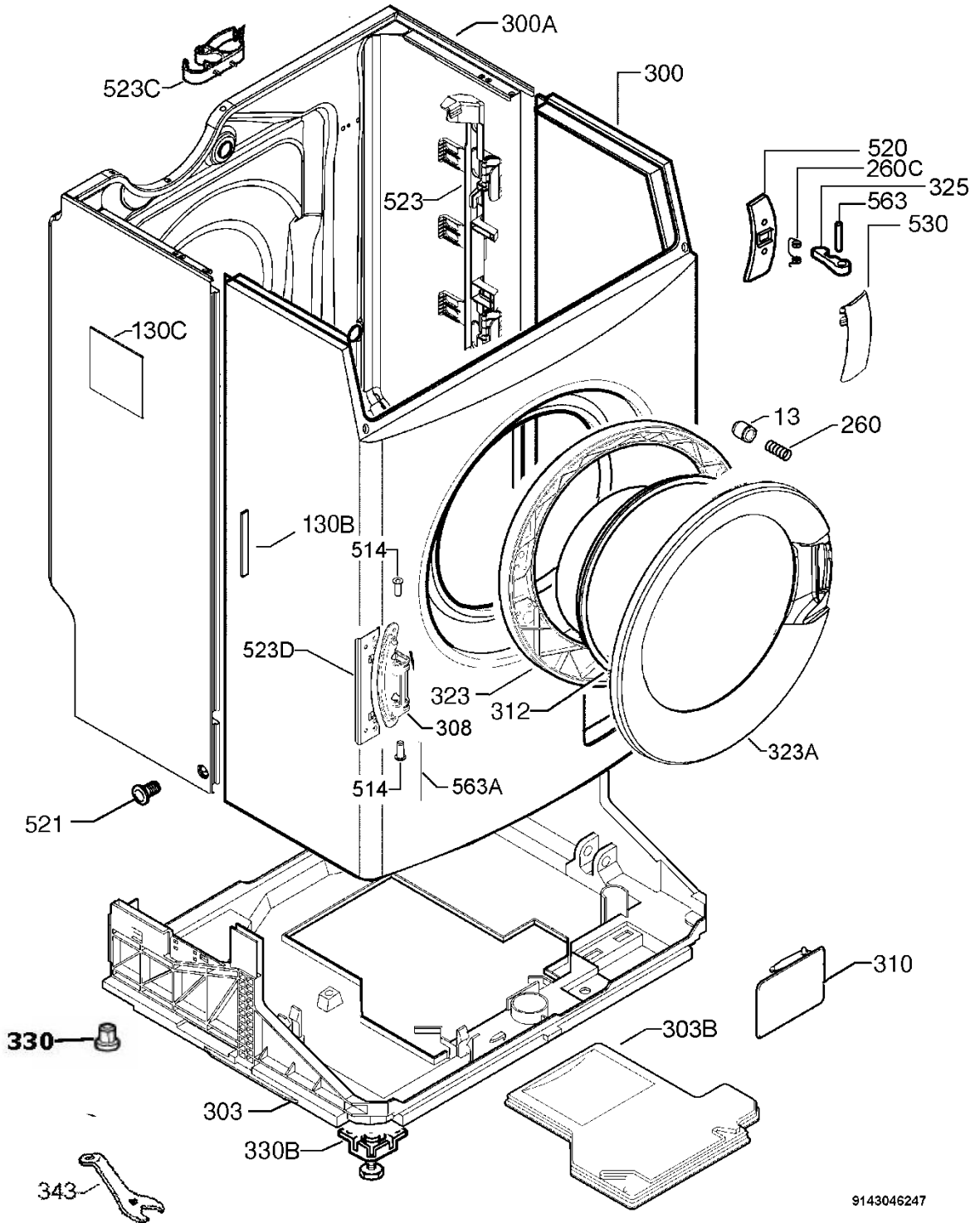
Washing machines
Front- Loaded

Electrolux Thailand Co.,Ltd.
1910 Electrolux Building
New Petchburi Rd.
Bangkapi
Huaykwang
Bangkok , 10310
Tel : +662 725 9000

Publication-No.
110315

Model : EWF10841
PNC : 914900303
914900304
914900305

Ex. View Drawing Housing Assembly



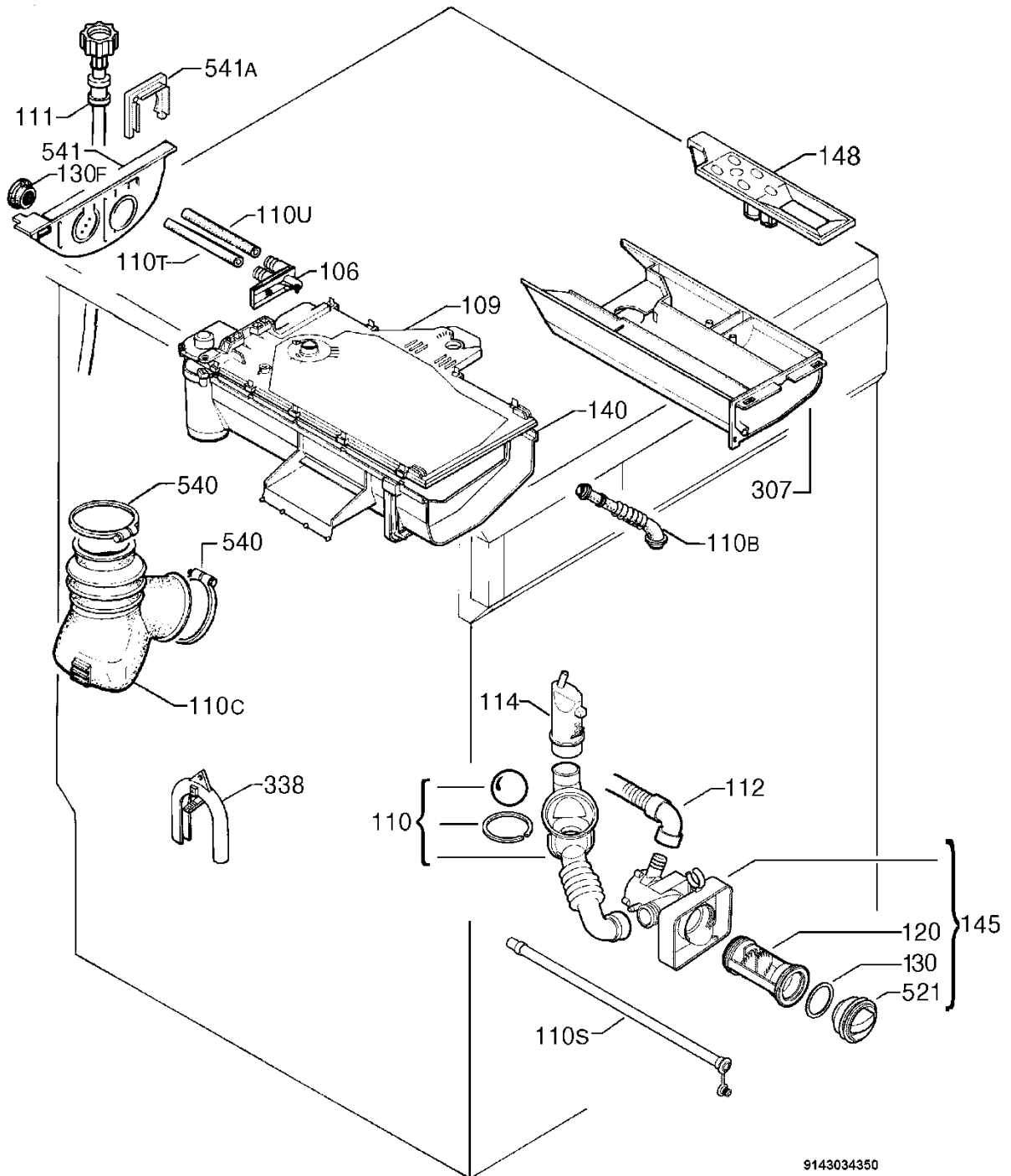
9143046247

Item	PNC	ELC	Brand	Model	Market
A	914900303	00	Electrolux	EWF10841	TH
A	914900304	00	Electrolux	EWF10841	IN/VN
A	914900305	00	Electrolux	EWF10841	MY/SG

Pos.	Part No.	Description
013	132016320	SAFETY BUTTON (GREY)
130B	132185700	VIBRATION DAMPING
130C	147109900	VIBRATION DAMPING
260	124067313	PUSH BOTTON OPENING SPRING
260C	124013912	DOOR LATCH SPRING
300	147183311	FRONT CABINET PAINTED WHITE
300A	147101902	BACK CABINET SHELL PAINTED
303	124581260	STAND
303B	147179900	CAP HOUSING
308	132502310	PORTHOLE HINGE
310	132106001	DOOR FILTER
312	132144810	DOOR GLASS
323	147170500	BACK PORTHOLE FRAME
323A	147123750	FRONT PORTHOLE FRAME
325	124013721	DOOR LATCH
330	124097605	FIX REAR FOOT
330B	124526420	FRONT LEVELING FOOT ASSY
514	132002600	BUSHING
520	132146800	DOOR LATCH FLANGE
521	124644502	PLUG CABINET (SIDE)
523	124658622	HOSE-WIRING SUPPORT
523E	124532008	HOSE SUPPORT
523C	132072704	DRAIN HOSE SUPPORT (EXTERNAL
523D	132502200	HINGE REINFORCEMENT
530	147146400	PORTHOLE HANDLE
563	124013811	DOOR LATCH PIN
563A	110825500	DOOR HINGE PIN

Model : EWF10841
PNC : 914900303
914900304
914900305

Ex. View Drawing
HYDRAULIC ASSEMBLY



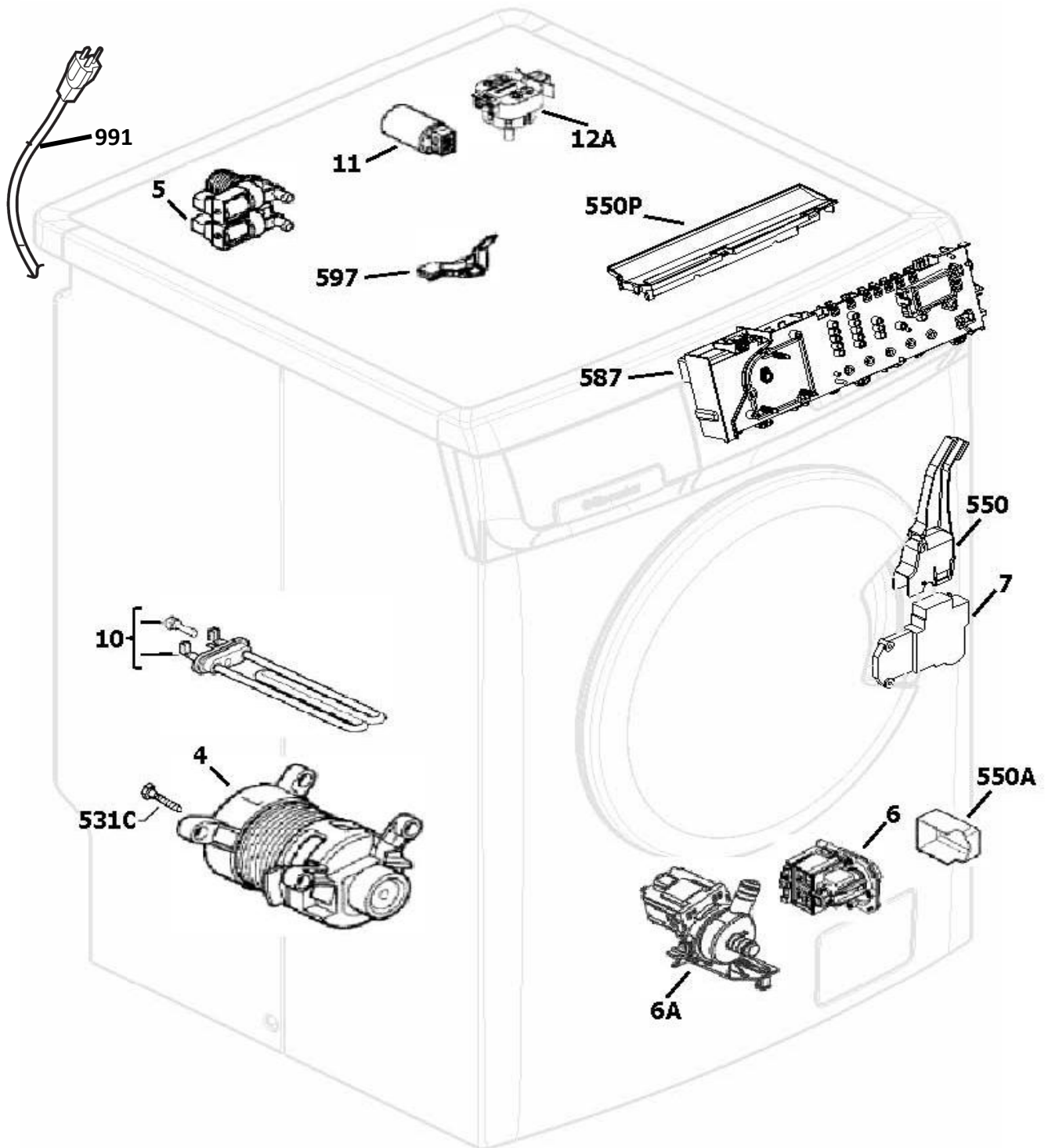
9143034350

Item	PNC	ELC	Brand	Model	Market
A	914900303	00	Electrolux	EWF10841	TH
A	914900304	00	Electrolux	EWF10841	IN/VN
A	914900305	00	Electrolux	EWF10841	MY/SG

Pos.	Part No.	Description
106	124947013	VALVE CONNECTION
109	124014628	ASSY,CONVEYOR,WATER
110	147163210	DRAIN HOSE AIR CHAMBER ASSY
110C	132540400	INLET DETERGENT HOSE
110S	132036504	BODY PUMP DRAIN HOSE
110T	147154810	SOLENOID VALVE+HOSE CLAMP AS
110U	147154910	SOLENOID VALVE+HOSE CLAMP AS
111	119419300	HOSE ASSY INLET COLD
112	124088170	EXTERNAL DRAIN HOSE ASSY
114	147101210	AIR CHAMBER
120	132683501	DIAPHRAGM
130	132071201	SEAL KNOB
130E	124015100	Sealing
140	147146600	DETERGENT DISPENSER HOUSING
145	147179801	BODY PUMP ASSY, OKO
148	124613614	3 WAYS ADDITIVES SYPHON
307	147171300	DRAWER
338	124291600	END PIECE DRAIN HOSE
521	132071101	KNOB
540	124006004	HOSE CLAMP
541	124608622	JUNCTION CLAMP
541A	124734105	CLAMP

Model : EWF10841
PNC : 914900303
914900304
914900305

Ex. View Drawing
ELECTRICAL EQUIPMENT

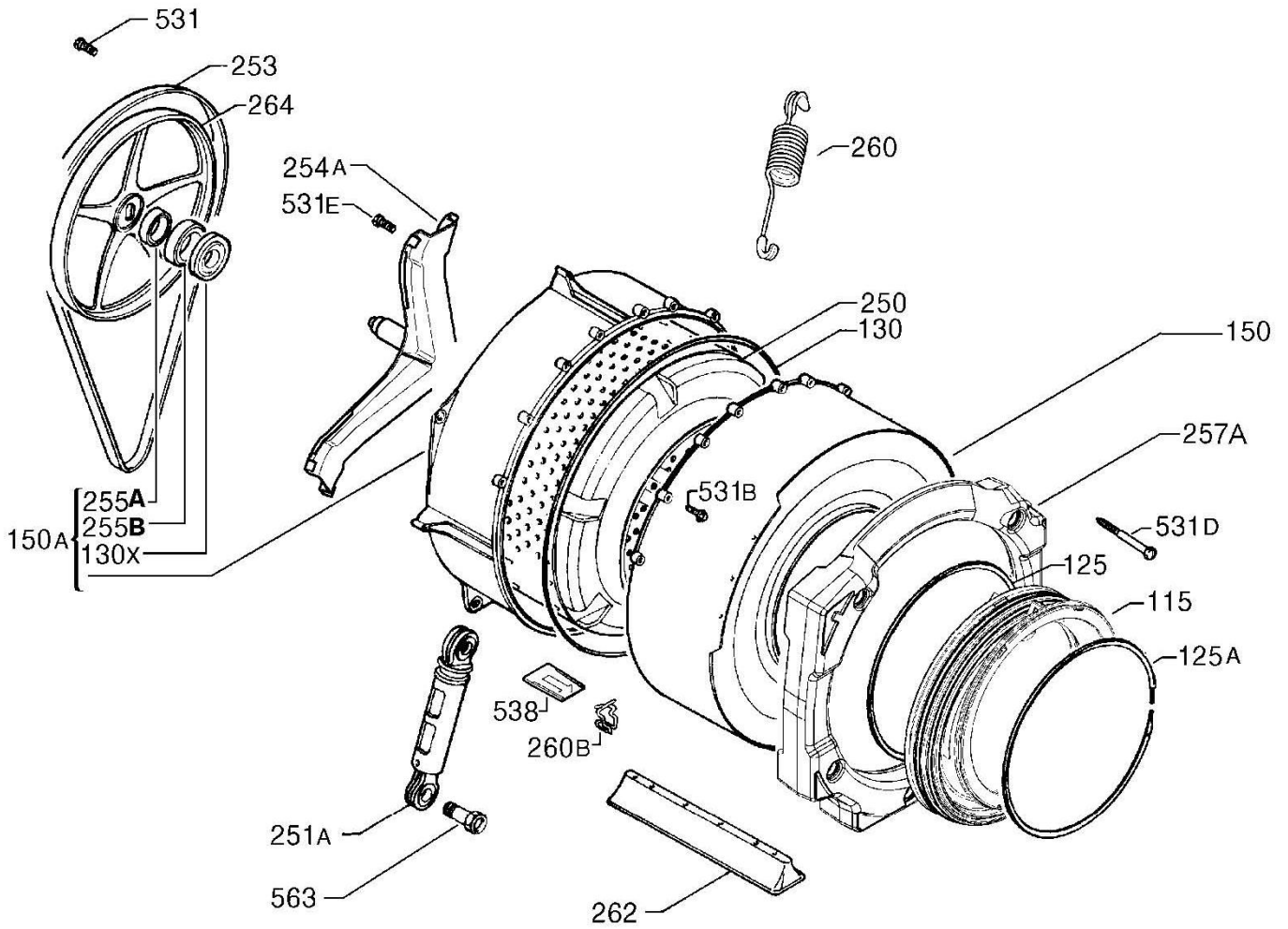


Item	PNC	ELC	Brand	Model	Market
A	914900303	00	Electrolux	EWF10841	TH
A	914900304	00	Electrolux	EWF10841	IN/VN
A	914900305	00	Electrolux	EWF10841	MY/SG

Pos.	Part No.	Description
004	147111012	UNIVERSAL MOTOR, 65mm
005	132441600	SOLENOID VALVE (2 OUTLETS)
006	147188700	DRAIN PUMP
007	124967514	INSTANTANEOUS DOOR LOCK
010	132724210	HEATING ELEMENT(240V,1950W)
011	147149100	ANTI-INTERFERENCE FILTER
012A	132414302	LOW FREQUENCY ANALOG PRESSUR
531C	124022201	MOTOR SCREW(5,5x38TE)
550	132144420	DOOR LOCK PROTECTION
550P	132509301	PROTECTION CONNECTOR
587	97391490030300	EWM2100 MAIN BOARD ASSY(TC4) With Software For PNC 914900303
587	97391490030400	EWM2100 MAIN BOARD ASSY(TC4) With Software For PNC 914900304
587	97391490030500	EWM2100 MAIN BOARD ASSY(TC4) With Software For PNC 914900305
597	124006204	FILTER CAPACITOR CLAMP
990	147167890	WIRING HARNESS AND ASSEMBLY
991	147137880	POWER SUPPLY CORD WITH TH PLUG For PNC 914900303
991	147137840	POWER SUPPLY CORD WITH EU PLUG For PNC 914900304
991	147137831	POWER SUPPLY CORD WITH UK PLUG For PNC 914900305
999	132522200	WIRING HARNESS
587	132594041	Blank Software EWM2100 MAIN BOARD ASSY(TC4)

Model : EWF10841
PNC : 914900303
914900304
914900305

Ex. View Drawing
FUNCTION ASSEMBLY

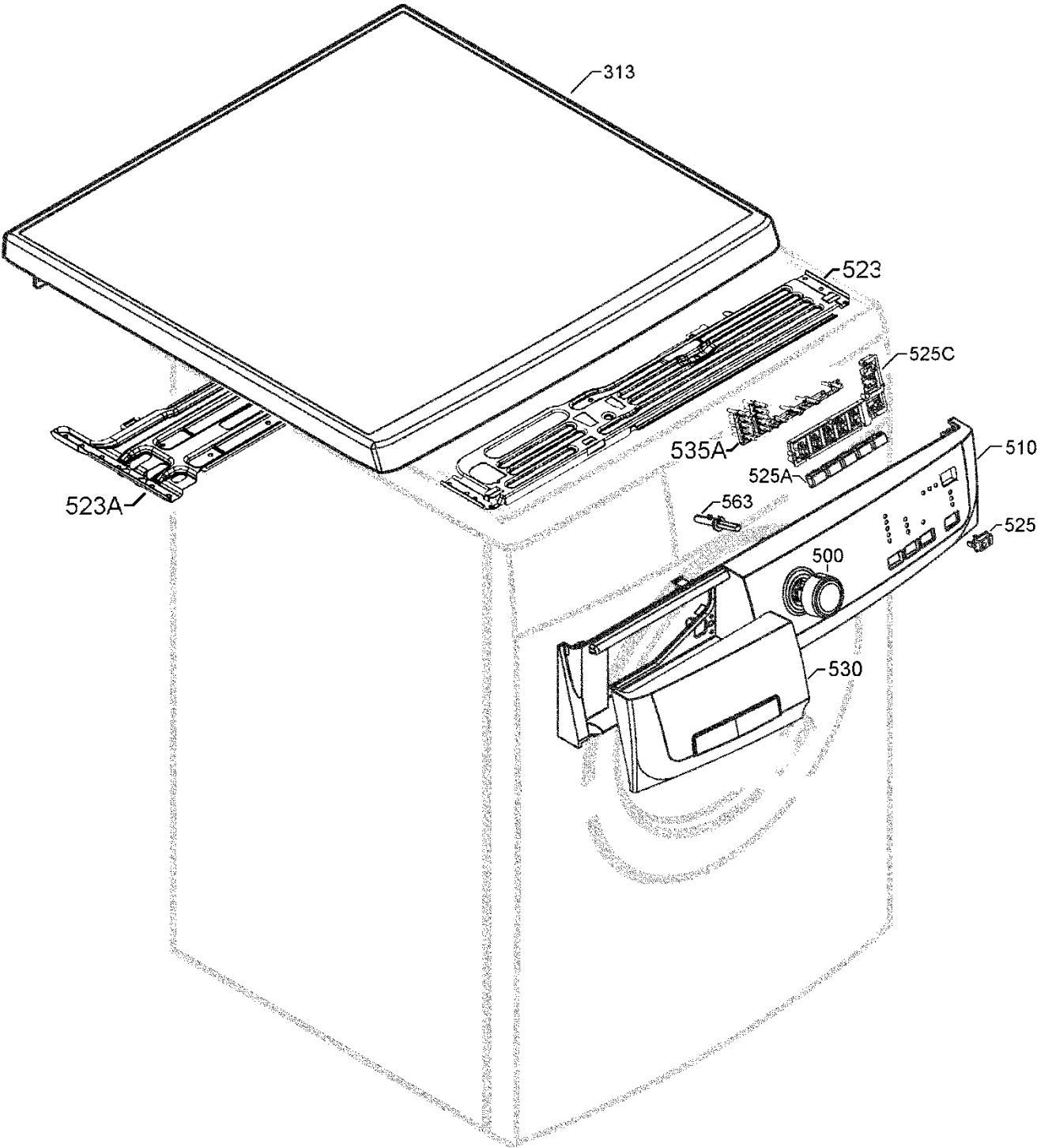


Item	PNC	ELC	Brand	Model	Market
A	914900303	00	Electrolux	EWF10841	TH
A	914900304	00	Electrolux	EWF10841	IN/VN
A	914900305	00	Electrolux	EWF10841	MY/SG

Pos.	Part No.	Description
115	147100811	DOOR BELLOWS (G23,OKO)
125	132002400	BELLOWS SPRING TUB
125A	132055201	CLAMPING RING (TO FIX BELLOW
130	147100700	TUB SHELL GASKET G23
130X	124966101	SEALING RING
150	147100630	FRONT TUB SHELL H-BD
150A	147168500	REAR TUB SHELL ASSY
250	147168400	DRUM ASSEMBLY G23
251A	126063601	SHOCK ABSORBER ASSEMBLY
253	132353130	POLI-V BELT
254A	147163600	SPIDER+BUSH+LOCTITE ASSY G23
255A	542330720	BALL BEARING 30x72x19
255B	542335800	BALL BEARING 35x80x21
257A	147106320	COUNTERWEIGHT ASSY G23
260	147101601	TUB SPRING
260B	124782510	HEATER SUPPORT SPRING
262	147100500	LIFTER G23
264	110861400	PULLEY
531	519135027	PULLEY SCREW(M10X25TSP)AF
531B	132229001	CARBORAN HALVES SCREW
531D	124571701	FRONT COUNTERWEIGHT SCREW
531E	124022001	SCREW CROSS PIECE
538	124666913	HEATING ELEMENT SUPPORT SPAC
563	124004124	SHOCK ABSORBER PIN

Model : EWF10841
PNC : 914900303
914900304
914900305

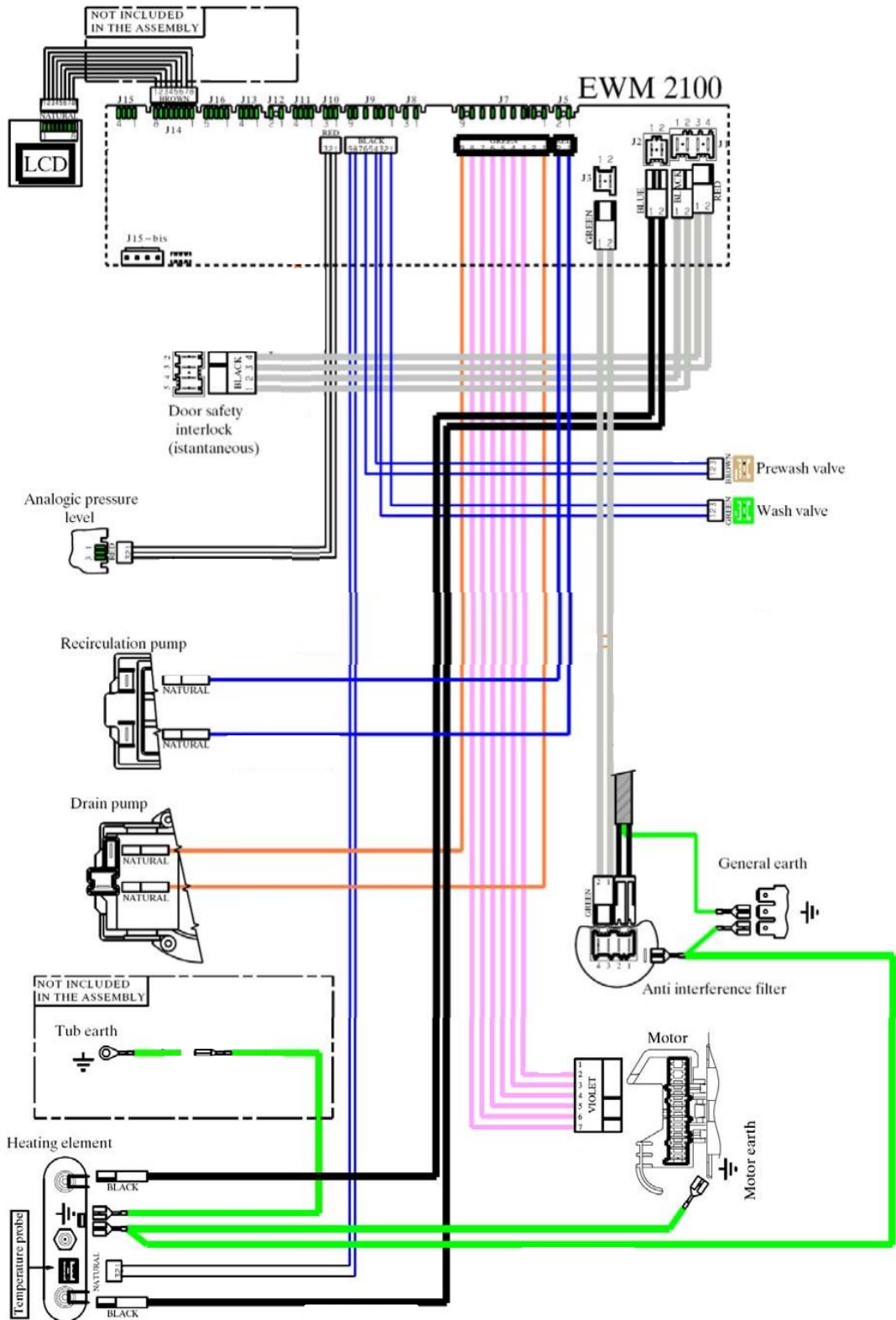
Ex. View Drawing
Control Panel Assembly



Item	PNC	ELC	Brand	Model	Market
A	914900303	00	Electrolux	EWF10841	TH
A	914900304	00	Electrolux	EWF10841	IN/VN
A	914900305	00	Electrolux	EWF10841	MY/SG

Pos.	Part No.	Description
313	147162200	WORK TOP ASSEMBLY
500	147184500	KNOB PROGRAM
510	147902400	CONTROL PANEL PRINTED (EWF10841)
523	132545711	CONTROL PANEL SUPPORT
523A	147128200	TOP BRACKET NEXUS
525A	132508620	PUSH BUTTON FUNCTION
530	147183750	HANDLE PRINTED
563	132109601	PIN
525C	132509110	PUSH BUTTONS SUPPORT
525	147182310	PUSH BUTTONS START-PAUSE
535A	132509021	DIFFUSER

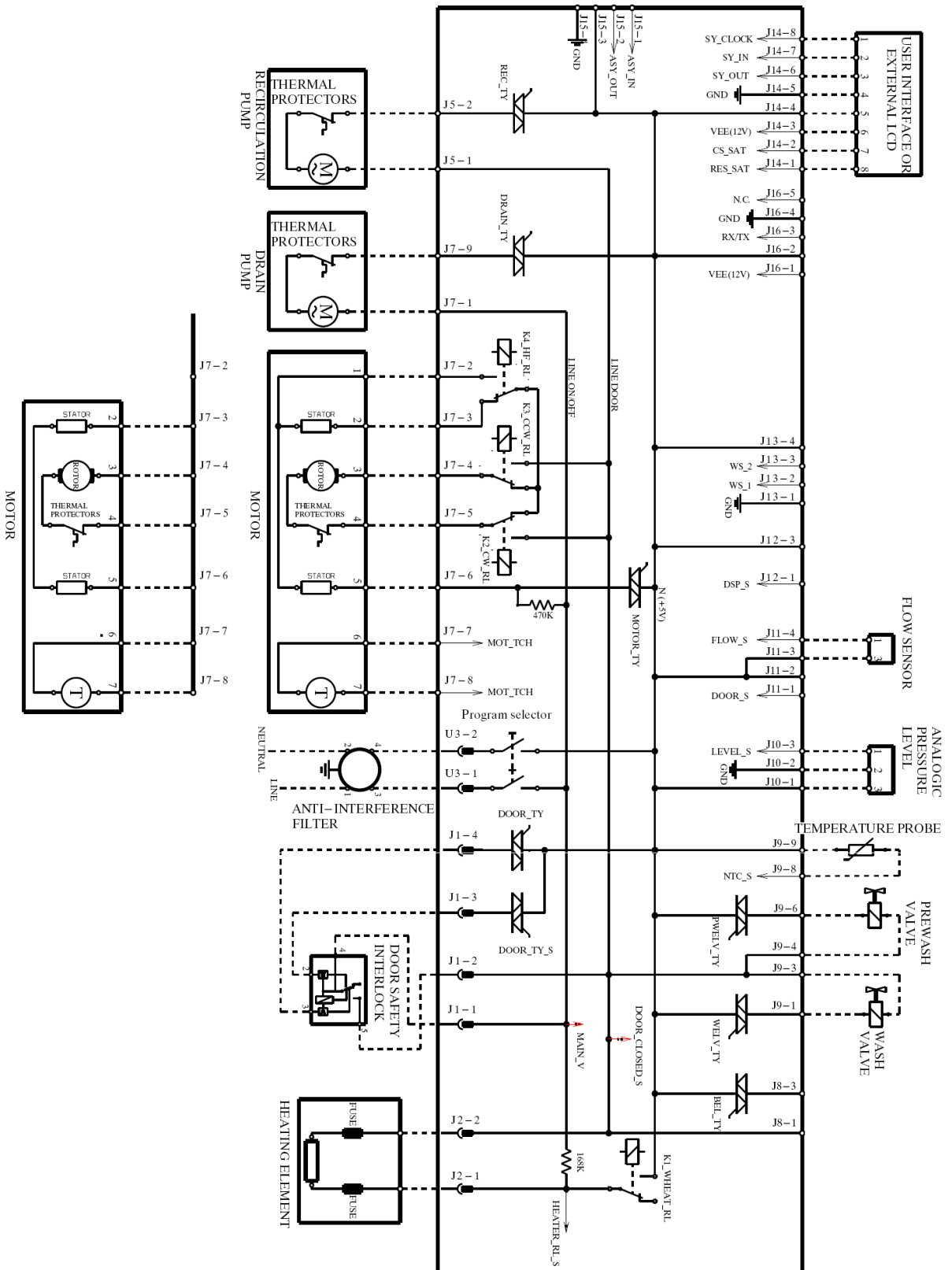
WIRING DIAGRAM



IMPORTANT SAFETY NOTICE

This diagram has been prepared for use by electrically qualified service technicians. Electrolux cannot be held responsible for the interpretation of its service publications nor for any injury or damage that may occur in connection with their use.

CIRCUIT DIAGRAM



IMPORTANT SAFETY NOTICE

This diagram has been prepared for use by electrically qualified service technicians. Electrolux cannot be held responsible for the interpretation of its service publications nor for any injury or damage that may occur in connection with their use.

Exploded view no.: P91490030300
P09143064884

Matrix	PNC	ELC	ProdDate	Model
A	914900303	00	20110401	EWF10841

Pos	Part No.	Matrix	Description
------------	-----------------	---------------	--------------------